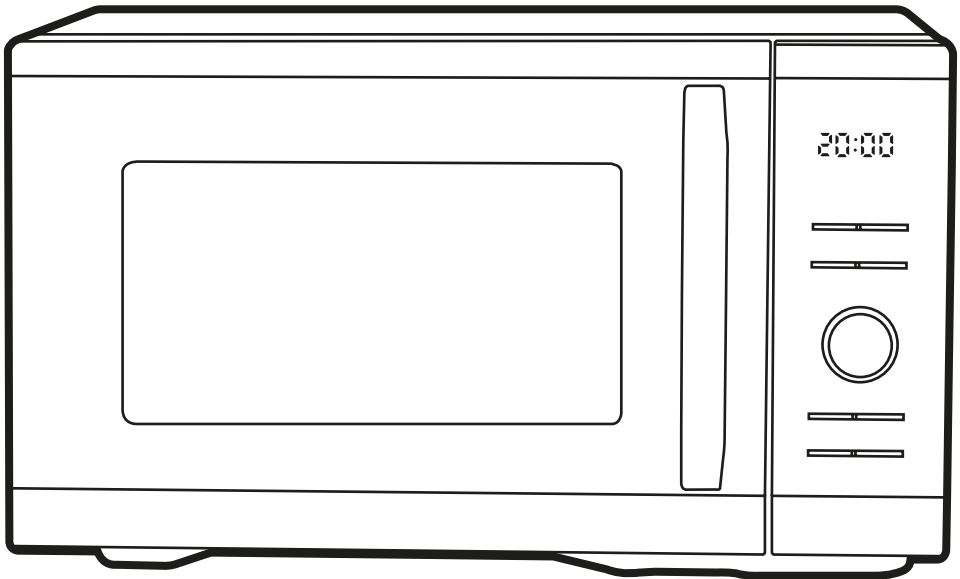


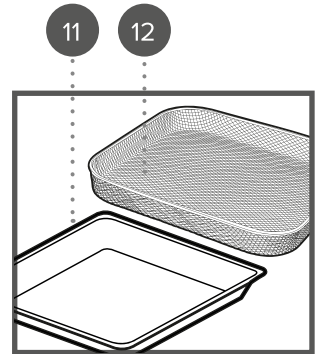
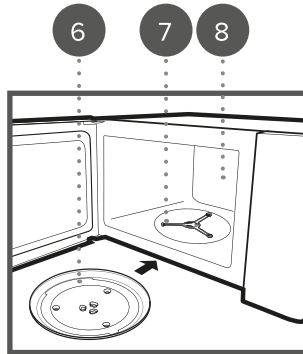
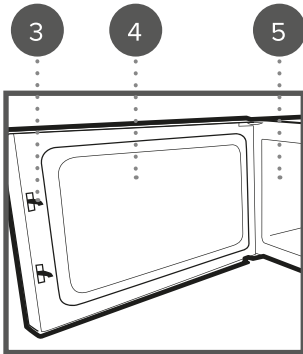
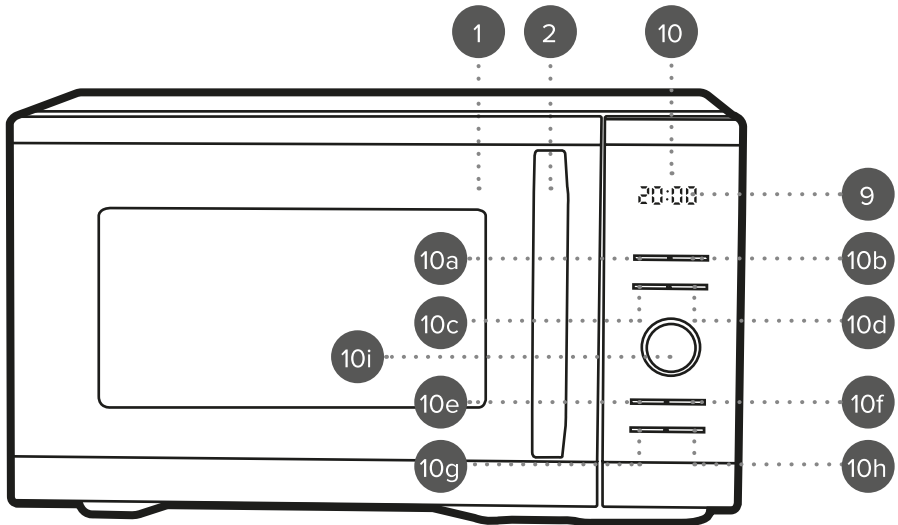
# User manual

DuoWave 26L



Scan here for tasty recipes  
and inspiration

## Description of parts



Do not use in microwave or combi mode.

- 1. Microwave air fryer main unit
- 2. Door handle
- 3. Door safety interlock
- 4. Viewing window
- 5. Oven cavity
- 6. Glass turntable
- 7. Turntable ring assembly
- 8. Waveguide cover
- 9. LED display
- 10. Control panel
  - 10 a. Microwave button (**Microwave**)
  - 10 b. Air fry button (**Air Fry**)
  - 10 c. Combi. convection button (**Combi. Convection**)
  - 10 d. Air fry presets button (**Air Fry Presets**)
  - 10 e. Defrost button (**Defrost**)
  - 10 f. Timer/clock button (**Timer/Clock**)
  - 10 g. Keep warm button (**Keep Warm**)
  - 10 h. Stop/clear/eco button (**STOP/Clear/ECO**)
  - 10 i. Confirm/start/+30 s control dial (**CONFIRM/Start/+30s**)
- 11. Air fry tray (cannot be used in microwave and combi mode)
- 12. Air fry basket (cannot be used in microwave and combi mode)

Please retain instructions for future reference.



**WARNING – READ BEFORE USE:** Do not use the appliance with an extension cord. If the door or door seals are damaged, the appliance must not be operated until it has been repaired by a competent person. It is hazardous for anyone other than a competent person to carry out any service or repair operation that involves the removal of a cover which gives protection against exposure to microwave energy. If the power supply cord, plug or any part of the appliance is malfunctioning or if it has been dropped or damaged, cease using the product immediately to avoid potential injury. This appliance contains no user serviceable parts, only a qualified electrician should carry out repairs. Improper repairs may place the user at risk of harm. Liquids and other foods must not be heated in sealed containers since they are liable to explode. The heating of beverages in the appliance can result in delayed eruptive boiling, therefore extreme care must be taken when handling the container. Always allow beverages to stand for at least 20 seconds before handling. If necessary, stir from the outside in during heating. Always stir after heating. When the appliance is operated in combination mode, children aged from 8 years should only use the appliance under adult supervision due to the temperatures generated. Only use utensils that are suitable for use in microwave ovens.

## SAFETY INSTRUCTIONS

- When using electrical appliances, basic safety precautions should always be followed.
- Check that the voltage indicated on the rating plate corresponds with that of the local network before connecting the appliance to the mains power supply.
- Children aged from 8 years and people with reduced physical, sensory or mental capabilities or lack of experience and knowledge can use this appliance, only if they have been given supervision or instruction concerning use of the appliance in a safe way and understand the hazards involved.
- Unless they are older than 8 and supervised, children should not perform cleaning or user maintenance.
- This appliance is not a toy – children should be supervised to ensure that they do not play with the appliance.
- When heating food in plastic or paper containers, keep an eye on the appliance due to possibility of ignition.
- The appliance is intended only for heating food and beverages. Drying of food or clothing and heating of warming pads, slippers, sponges, damp cloth and similar items may lead to risk of injury, ignition or fire.
- If smoke is observed, switch off or unplug the appliance and keep the door closed in order to stifle any flames.
- The contents of feeding bottles and baby food jars should be stirred or

shaken, and the temperature checked before consumption, in order to avoid burns.

- Eggs in their shell and whole hard-boiled eggs should not be heated in the appliance since they may explode, even after microwave heating has ended.
- Keep the appliance and its power supply cord away from heat or sharp edges that could cause damage.
- Keep the power supply cord away from any parts of the appliance that may become hot during use.
- Keep the appliance away from other heat emitting appliances.
- Failure to maintain the appliance in a clean condition could lead to deterioration of the surface and could adversely affect the life of the appliance and possibly result in a hazardous situation.
- Care should be taken not to displace the turntable when removing containers from the appliance.
- Do not use metallic containers for food and beverages during microwave cooking.
- Do not immerse the appliance in water or any other liquid.
- Do not immerse the turntable in cold water directly after use – wait at least 20 minutes to avoid the risk of cracking.
- Do not operate the appliance with wet hands.
- Do not clean the appliance with a steam cleaner or water jet.
- Do not leave the appliance unattended whilst connected to the mains power supply.
- Do not remove the appliance from the mains power supply by pulling the cord; switch it off and remove the plug by hand.
- Do not use the appliance for anything other than its intended use.
- Do not move the appliance whilst it is in use.
- Do not touch any sections of the appliance that may become hot or the heating components of the appliance, as this could cause injury.
- Always use the appliance on a stable, heat-resistant surface, at a height that is comfortable for the user.
- This appliance should not be operated by means of an external timer or separate remote control system, other than that supplied with this appliance.
- This appliance is intended for domestic use only. It should not be used for commercial purposes.



**CAUTION:** Hot surface – do not touch any sections or surfaces of the appliance that may become hot or the heating components of the appliance.



**WARNING:** Keep the appliance away from flammable materials.

### Installing the microwave air fryer

The appliance is intended to be used on the countertop only; it should not be placed in a cabinet. The appliance should be installed away from sources of heat and humidity.

To ensure sufficient ventilation, the appliance should be placed with its back against a wall, with 20 cm of free space between its sides and the wall and 30 cm of free space above it. The appliance should be at least 85 cm above floor level on a flat, stable, heat-resistant surface.

The appliance should be at least 5 m away from any TVs, radios or other appliances with antennas, as picture disturbance or noise may occur.

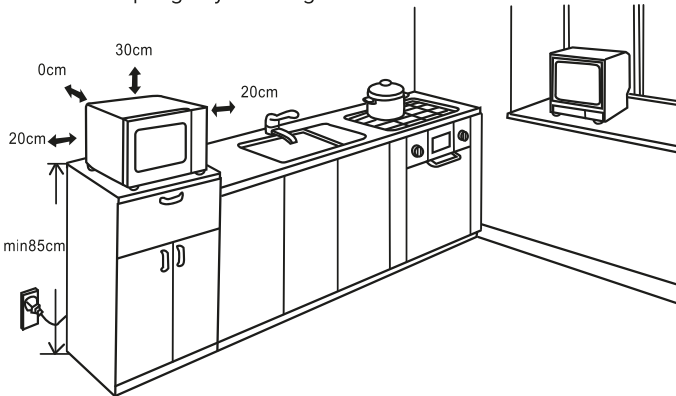
The appliance must be positioned so that the plug is accessible.

Do not remove the legs from the bottom of the appliance.

Blocking the intake and/or outlet openings can damage the appliance.

## Care and maintenance

Switch off and unplug the microwave air fryer from the mains power supply and allow it to cool fully before attempting any cleaning or maintenance.



**STEP 1:** Wipe the exterior of the microwave air fryer with a soft, damp cloth and dry thoroughly.

**STEP 2:** Using a soft, damp cloth, wipe the microwave air fryer door and window, door seals and control panel to remove any spill or spatter.

**STEP 3:** Wipe the interior surfaces, including the waveguide cover, with a soft, damp cloth, to remove any built-up grease, as this may begin to smoke or catch fire.

Do not use harsh or abrasive cleaning detergents or scourers to clean the microwave air fryer or its accessories, as this could cause damage.



**NOTE:** The microwave air fryer and accessories should be cleaned after each use and any food deposits removed.



**WARNING:** Do not remove the waveguide cover. Failure to maintain the microwave air fryer in a clean condition could lead to deterioration of the surface that could adversely affect the life of the microwave air fryer and possibly result in a hazardous situation.

## Instructions for use

### Before first use

Clean the microwave air fryer following the instructions in the section entitled '**Care and maintenance**'. Place the microwave air fryer onto a flat, stable, heat-resistant surface at a height that is comfortable for the user.

**STEP 1:** Place the turntable ring in the centre of the microwave air fryer and place the glass turntable on top. The turntable ring and glass turntable must be in place before use.

**NOTE:** When using the microwave air fryer for the first time, a slight smoke or odour may be emitted. This is normal and will soon subside. Allow for sufficient ventilation around the microwave air fryer. It is advised to heat a small cup of water in the microwave air fryer before first use as this will help to remove residue from manufacturing inside the cavity and will prevent the initial smoke or odour from affecting the taste of the food.  
**ALWAYS ALLOW BEVERAGES/LIQUIDS TO STAND FOR AT LEAST 20 SECONDS BEFORE HANDLING TO AVOID ERUPTIVE BOILING.**

## Using the microwave air fryer

**STEP 1:** Plug in and switch on the microwave air fryer at the mains power supply.

**STEP 2:** Place the food to be microwaved onto the glass turntable and close the door. Make sure to use microwave-safe plates or containers.

Function	Use	Suggested food
Microwave	Quickly reheats/cook meals.	Soup, rice, ready meals or leftovers.
Air fry	Cooks crispy food using little to no oil. 10 preset options available – frozen chips, frozen croquettes, frozen onion rings, frozen chicken nuggets, escalope, shellfish, vegetables, spring rolls, frozen potato wedges and chicken wings.	Meat, vegetables, chips, fish or seafood.
Combi/convection	Ensures food is cooked internally and makes the outer layer crispy.	Large joints of meat (gammon, leg of lamb).
Speedy cooking	Sets the microwave air fryer at 100% power for 30 seconds.	Popcorn, beverages or rice.
Defrost	Defrosts frozen food.	All food types.
Multi stage	Sets up to two cooking functions for consecutive cooking, e.g., – 'Defrost' then 'Air fry'.	Meat, vegetables or chips.
Keep warm	Sets the air fryer function to 65 °C or 80 °C for a set amount of time to keep food warm before serving.	All food types.
Auto cooking	10 set cooking functions available – reheat, potato, meat, vegetables, pasta, fish, soup, pizza, chicken and popcorn.	Refer to the cooking chart in the section entitled 'Auto menu'.

## Power level

11 power levels are available.

Level	Power	Display
0	0%	P0
1	10%	P10
2	20%	P20
3	30%	P30
4	40%	P40
5	50%	P50
6	60%	P60
7	70%	P70
8	80%	P80
9	90%	P90
10	100%	P100

## Setting the time

**STEP 1:** Press 'Timer/Clock'. The LED display will show '00:00'.

**STEP 2:** Turn the 'CONFIRM/Start/+30s' control dial to set the hour. The time should be between 0–23.

**STEP 3:** Press 'Timer/Clock' to confirm.

**STEP 4:** Turn the 'CONFIRM/Start/+30s' control dial to set the minute. The time should be between 0–59.

**STEP 5:** Press 'Timer/Clock' to confirm.



**NOTE:** The time needs to be set before using the microwave air fryer. To reset the clock, repeat steps 1–5.

## Setting the kitchen timer

**STEP 1:** Press 'Timer/Clock'. The LED display will show '00:00'.

**STEP 2:** Turn the 'CONFIRM/Start/+30s' control dial to set the time. The maximum time is '95:00'.

**STEP 3:** Press 'CONFIRM/Start/+30s' to confirm and start the timer.



**NOTE:** Other programmes cannot be set whilst setting the kitchen timer.

## Microwave cooking

**STEP 1:** Press 'Microwave'. The LED display will show 'P100'.

**STEP 2:** Press 'Microwave' or turn the 'CONFIRM/Start/+30s' control dial to set the power level. Press 'CONFIRM/Start/+30s' to confirm.

**STEP 3:** Turn the 'CONFIRM/Start/+30s' control dial to adjust the cooking time.

**STEP 4:** Press 'CONFIRM/Start/+30s' to start cooking.



**WARNING:** Do not use metal accessories whilst using this function.

## Speedy cooking

**STEP 1:** In standby mode, turn the '**CONFIRM/Start/+30s**' control dial anticlockwise to set the microwave air fryer cooking time for 30 seconds with 100% power.

**STEP 2:** Press '**CONFIRM/Start/+30s**' to start cooking.



**NOTE:** The time can be adjusted in 30 second increments by pressing '**CONFIRM/Start/+30s**' whilst cooking.

## Defrost by weight

**STEP 1:** Press '**Defrost**'. The LED screen will display '**DEF1**'.

**STEP 2:** Turn the '**CONFIRM/Start/+30s**' control dial to set the weight of food between 100 g–2 kg.

**STEP 3:** Press '**CONFIRM/Start/+30s**' to start defrosting.

**STEP 4:** Once defrosting has finished, the buzzer will sound five times.

## Defrost by time

**STEP 1:** Press '**Defrost**' twice. The LED screen will display '**DEF2**'.

**STEP 2:** Turn the '**CONFIRM/Start/+30s**' control dial to set the time. The maximum time is '**95:00**'.

**STEP 3:** Press '**CONFIRM/Start/+30s**' to start defrosting.

**STEP 4:** Once defrosting has finished, the buzzer will sound five times.



**NOTE:** The buzzer will sound during cooking to signal that the food needs stirring. If the food isn't stirred, the microwave air fryer will continue to defrost the food.

## Combination cooking

**STEP 1:** Press '**Combi. Convection**'. The LED display will show '**C-1**'.

**STEP 2:** Turn the '**CONFIRM/Start/+30s**' control dial to set the cooking time. The maximum time is '**95:00**'.

**STEP 3:** Press '**CONFIRM/Start/+30s**' to start cooking.



**WARNING:** Do not use metal accessories whilst using this function.

## Convection cooking with preheat function

**STEP 1:** Press '**Combi. Convection**' twice. The LED display will show '**140 °C**'.

**STEP 2:** Turn the '**CONFIRM/Start/+30s**' control dial to set the temperature. There are 10 temperature options available; 140, 150, 160, 170, 180, 190, 200, 210, 220 and 230 °C.

**STEP 3:** Press '**CONFIRM/Start/+30s**' to confirm the temperature.

**STEP 4:** Press '**CONFIRM/Start/+30s**' again to start preheating.

**STEP 5:** When preheating is completed, the temperature will flash on the LED screen. Place the food to be cooked in the microwave air fryer and close the door.

**STEP 6:** Turn the '**CONFIRM/Start/+30s**' control dial to set the cooking time. The maximum time is '**95:00**'.

**STEP 7:** Press '**CONFIRM/Start/+30s**' to start cooking.

## Convection cooking without preheat function

**STEP 1:** Press '**Combi. Convection**' twice. The LED display will show '**140 °C**'.

**STEP 2:** Turn the '**CONFIRM/Start/+30s**' control dial to set the temperature. There are 10 temperature options available; 140, 150, 160, 170, 180, 190, 200, 210, 220 and 230 °C.

**STEP 3:** Press '**CONFIRM/Start/+30s**' to confirm the temperature.

**STEP 4:** Turn the '**CONFIRM/Start/+30s**' control dial to set the cooking time. The maximum time is '**95:00**'.



**STEP 5:** Press '**CONFIRM/Start/+30s**' to start cooking.

## Multi-stage cooking

Settings can be customised in order to achieve the best cooking results.



**Example:** Defrost food for 5 minutes then cook with 80% power for 7 minutes.

**STEP 1:** Press '**Defrost**' twice. The LED display will show '**dEF2**'.

**STEP 2:** Turn the '**CONFIRM/Start/+30s**' control dial to set the defrost time to 5 minutes.

**STEP 3:** Press '**Microwave**'. The LED screen will display '**P100**'.

**STEP 4:** Turn the '**CONFIRM/Start/+30s**' control dial to set the power level to '**P80**'. Press '**CONFIRM/Start/+30s**' to confirm.

**STEP 5:** Turn the '**CONFIRM/Start/+30s**' control dial to set the cooking time to 7 minutes.

**STEP 6:** Press '**CONFIRM/Start/+30s**' to start cooking.



**NOTE:** A maximum of two cooking stages can be set at one time; if defrost is selected, it will automatically be the first step in the multi-stage cooking. The preheat function cannot be used during multi-stage cooking.

## Air fry cooking with a preheat function

**STEP 1:** Press '**Air Fry**'. The LED display will show '**140 °C**'.

**STEP 2:** Turn the '**CONFIRM/Start/+30s**' control dial to set the temperature. There are 10 temperature options available; 140, 150, 160, 170, 180, 190, 200, 210, 220 and 230 °C.

**STEP 3:** Press '**CONFIRM/Start/+30s**' to confirm the temperature.

**STEP 4:** Press '**CONFIRM/Start/+30s**' again to start preheating.

**STEP 5:** When preheating is completed, the temperature will flash on the LED screen. Place the food to be cooked in the microwave air fryer and close the door.

**STEP 6:** Turn the '**CONFIRM/Start/+30s**' control dial to set the cooking time. The maximum time is '**95:00**'.

**STEP 7:** Press '**CONFIRM/Start/+30s**' to start cooking.

## Air fry cooking without a preheat function

**STEP 1:** Press '**Air Fry**'. The LED display will show '**140 °C**'.

**STEP 2:** Turn the '**CONFIRM/Start/+30s**' control dial to set the temperature. There are 10 temperature options available; 140, 150, 160, 170, 180, 190, 200, 210, 220 and 230 °C.

**STEP 3:** Press '**CONFIRM/Start/+30s**' to confirm the temperature.

**STEP 4:** Turn the '**CONFIRM/Start/+30s**' control dial to set the cooking time. The maximum time is '**95:00**'.

**STEP 5:** Press '**CONFIRM/Start/+30s**' to start cooking.

## Keep warm function

**STEP 1:** In standby mode, press '**Keep Warm**'. The LED display will show '**65 °C**'.

**STEP 2:** Turn the '**CONFIRM/Start/+30s**' control dial to set the temperature. The LED display will show '**65 °C**' then '**80 °C**'. Press '**CONFIRM/Start/+30s**' control dial to confirm.

**STEP 3:** Turn the '**CONFIRM/Start/+30s**' control dial to set the time. The maximum time is '**95:00**'.

**STEP 4:** Press '**CONFIRM/Start/+30s**' to start the '**Keep Warm**' function.



**NOTE:** The temperature cannot be changed when using this function.

## Child lock function

This feature is ideal for locking the control panel when cleaning or to prevent children from using the microwave unsupervised. All buttons are rendered inoperable when the child lock function is used.

**STEP 1:** In standby mode, press and hold '**STOP/Clear/ECO**' for approx. three seconds to lock the microwave air fryer. The buzzer will sound and the LED screen will display a locked icon.

**STEP 2:** Press and hold '**STOP/Clear/ECO**' for approx. three seconds to unlock the microwave air fryer. The buzzer will sound to signal that the child lock function has been deactivated.

## Eco mode function

**STEP 1:** In standby mode, press '**STOP/Clear/ECO**' to activate eco mode. The LED screen will turn off.

**STEP 2:** In eco mode, press any button or open the door to cancel eco mode.

## Air fry preset

**STEP 1:** In standby mode, press '**Air Fry Presets**'. The LED display will show '**AF01**'.

**STEP 2:** Press '**Air Fry Presets**' or turn the '**CONFIRM/Start/+30s**' control dial to cycle through the preset options.

**STEP 3:** Press '**CONFIRM/Start/+30s**' to start cooking.

## Air fry cooking chart

Ingredient	Amount	Display
Frozen chips	450 g	AF01
Frozen croquettes	400 g	AF02
Frozen onion rings	350 g	AF03
Frozen chicken nuggets	500 g	AF04
Escalope	450 g	AF05
Shellfish	200 g	AF06
Vegetables	300 g	AF07
Spring rolls	400 g	AF08
Frozen potato wedges	400 g	AF09
Chicken wings	550 g	AF10



**NOTE:** The glass turntable will not rotate when the air fryer function is selected.

## Auto menu

**STEP 1:** In standby mode, turn the '**CONFIRM/Start/+30s**' control dial in a clockwise direction. The LED display will show '**A01**'. Use the '**CONFIRM/Start/+30s**' control dial to cycle through the 10 preset options.

**STEP 2:** Press '**CONFIRM/Start/+30s**' to confirm.

**STEP 3:** Turn the '**CONFIRM/Start/+30s**' control dial to set the weight of the food.

**STEP 4:** Press '**CONFIRM/Start/+30s**' to start cooking.

## Cooking chart

Menu	Quantity	Display	Accessories
A01 Auto reheat	150 g 250 g 350 g 450 g 600 g	150 g – 1:30 250 g – 2:30 350 g – 3:30 450 g – 4:30 600 g – 6:00	Glass turntable
A02 Potato	1 2 3	1 – 5:20 2 – 8:30 3 – 11:30	Glass turntable
A03 Meat	150 g 300 g 450 g 600 g	150 g – 3:00 300 g – 4:40 450 g – 6:30 600 g – 8:30	Glass turntable
A04 Vegetable	150 g 350 g 500 g	150 g – 3:00 350 g – 4:30 500 g – 6:00	Glass turntable
A05 Pasta	50 g (450 g with cold water) 100 g (800 g with cold water) 150 g (1200 g with cold water)	50 g – 18:00 100 g – 20:00 150 g – 22:00	Glass turntable
A06 Fish	150 g 250 g 350 g 450 g 650 g	150 g – 3:10 250 g – 4:40 350 g – 5:40 450 g – 7:00 650 g – 9:40	Glass turntable
A07 Soup	200 ml 400 ml 600 ml	200 g – 2:10 400 g – 4:00 600 g – 5:40	Glass turntable
A08 Pizza	200 g 300 g 400 g	200 g – 8:00 300 g – 9:00 400 g – 11:00	Glass turntable, crisper tray, baking pan
A09 Chicken	500 g 750 g 1000 g 1200 g	500 g – 40:00 750 g – 45:00 1000 g – 50:00 1200 g – 55:00	Glass turntable, crisper tray, baking pan
A10 Popcorn	50 g 100 g	50 g – 1:30 100 g – 2:30	Glass turntable

## Storage

Check that the microwave air fryer is cool, clean and dry before storing in a cool, dry place. Never wrap the cord tightly around the microwave air fryer; wrap it loosely to avoid causing damage.

## Specifications

Product code: EK5817

Capacity: 26 L

Input: 230–240 V ~ 50 Hz

Rated input power (microwave): 1300–1400 W

Rated output power (microwave): 850–900 W

Rated input (convection): 1450–1500 W

Microwave frequency: 2450 MHz

## SERVICING SAFEGUARDS FOR QUALIFIED ELECTRICIANS ONLY

### CAUTION: MICROWAVE RADIATION.

1. The high voltage capacitor remains charged after disconnection; short the negative terminal of the H.V capacitor to the oven chassis using a screwdriver to discharge before touching.

2. During servicing, the below listed parts are liable to be removed and give access to potentials above 250 V to earth.

- Magnetron
- High voltage transformer
- High voltage capacitor
- High voltage diode
- High voltage fuse

3. The following conditions may cause undue microwave exposure during servicing:

- Improper fitting of magnetron.
- Improper matching of door interlock, door hinge and door.
- Improper fitting of switch support.
- The door, door seal or enclosure has been damaged.



#### Disposal of Waste Batteries and Electrical and Electronic Equipment



This symbol on the product, its batteries or its packaging means that this product and any batteries it contains must not be disposed of with household waste. Instead, it is the user's responsibility to hand this over to an applicable collection point for the recycling of batteries and electrical and electronic equipment. This separate collection and recycling will help to conserve natural resources and prevent potential negative consequences for human health and the environment due to the possible presence of hazardous substances in batteries and electrical and electronic equipment, which could be caused by inappropriate disposal. Some retailers provide take-back services which allow the user to return exhausted equipment for appropriate disposal. **It is the user's responsibility to delete any data on electrical and electronic equipment prior to disposal.** For more information about where to drop batteries, electrical and electronic waste off, please contact the local city/municipality office, household waste disposal service, or the retailer.

Manufactured by:  
Ultimate Products UK Ltd.,  
Victoria Street, Manchester OL9 0DD. **UK.**  
Ultimate Products Europe Ltd.,  
19 Baggot Street Lower, Dublin D02 X658. **ROI.**

**MADE IN CHINA.**

CD010623/MD190424/V4