



NOTE: When using the kettle for the first time, a slight odour may be emitted. This is normal and will soon subside. Allow for sufficient ventilation around the kettle.



WARNING: The kettle is not suitable for dishwasher use.

Removing the 'new kettle' taste

Fill the kettle to the max. fill mark and boil the water, following the instructions in the section entitled 'Using the kettle'. If any slight 'new kettle' taste or odour remains in the boiled water, discard this and refill the kettle to three-quarters full. Once boiled, add two tablespoons of bicarbonate of soda and leave to stand overnight. Discard the water then re-boil a couple of times to remove any residue.

Using the kettle

STEP 1: Remove the kettle from the power base.

STEP 2: Open the lid and fill the kettle to desired water level between the min. fill mark and the max. fill mark. Replace the lid ensuring it is secure and place the kettle back onto the power base.

STEP 3: Plug in and switch on the kettle at the mains power supply and flip the power switch to the 'on' position until it clicks; it will illuminate to indicate that it is switched on.

STEP 4: Once the kettle has boiled, the power switch will automatically flip back into the off position.



NOTE: The boiling process can be cancelled at any time by flicking the power switch back to the off position.



CAUTION: Allow the kettle to cool thoroughly before touching the body or opening the lid. Do not touch the body of the kettle during use.

Storage

The kettle must be cool, clean and dry before storing in a cool, dry place. Never wrap the cord tightly around the kettle; wrap it loosely to avoid causing damage.

Specifications

Product code: EK5742

Input: 220–240 V ~ 50/60 Hz

Output: 3000 W



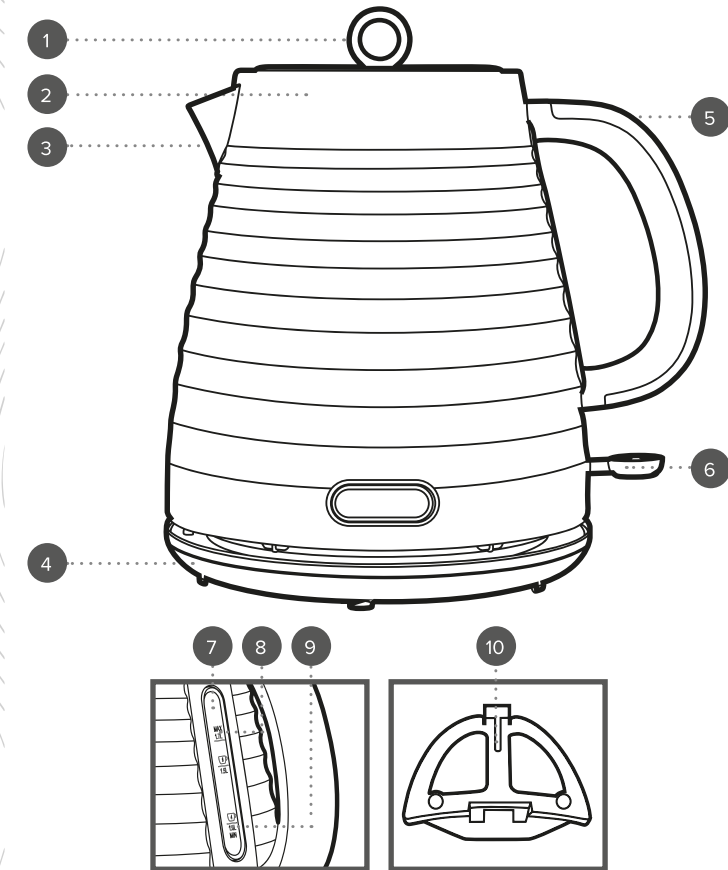
Disposal of Waste Batteries and Electrical and Electronic Equipment



This symbol on the product, its batteries or its packaging means that this product and any batteries it contains must not be disposed of with household waste. Instead, it is the user's responsibility to hand this over to an applicable collection point for the recycling of batteries and electrical and electronic equipment. This separate collection and recycling will help to conserve natural resources and prevent potential negative consequences for human health and the environment due to the possible presence of hazardous substances in batteries and electrical and electronic equipment, which could be caused by inappropriate disposal. Some retailers provide take-back services which allow the user to return exhausted equipment for appropriate disposal. **It is the user's responsibility to delete any data on electrical and electronic equipment prior to disposal.** For more information about where to drop batteries, electrical and electronic waste off, please contact the local city/municipality office, household waste disposal service, or the retailer.

User manual

Rapid boil kettle



1. Lid
2. Kettle
3. Spout
4. Power base
5. Handle

6. Power switch
7. Water fill gauge
8. Max. fill mark (1.7 L)
9. Min. fill mark (1 L)
10. Limescale filter



Manufactured by:
Ultimate Products UK Ltd.,
Victoria Street, Manchester OL9 0DD. **UK.**
Ultimate Products Europe Ltd.,
19 Baggot Street Lower, Dublin D02 X658. **ROI.**

MADE IN CHINA.

CD200324/MD000000/V1

Please retain instructions for future reference.

SAFETY INSTRUCTIONS

- When using electrical appliances, basic safety precautions should always be followed.
- Check that the voltage indicated on the rating plate corresponds with that of the local network before connecting the appliance to the mains power supply.
- This appliance can be used by children aged from 8 years and above and persons with reduced physical, sensory or mental capabilities and knowledge, if they have been supervised/instructed and understand the hazards involved.
- Children shall not play with the appliance.
- Children should not perform cleaning or user maintenance, unless they are older than 8 and supervised.
- This appliance is not a toy.
- If the power supply cord, plug or any part of the appliance is malfunctioning or if it has been dropped or damaged, cease using the product immediately to avoid potential injury.
- This appliance contains no user serviceable parts, only a qualified electrician should carry out repairs. Improper repairs may place the user at risk of harm.
- Keep the appliance and its power supply cord out of the reach of children.
- Keep the appliance out of the reach of children when it is switched on or cooling down.
- Keep the appliance and its power supply cord away from heat or sharp edges that could cause damage.
- Keep the power supply cord away from any parts of the appliance that may become hot during use.
- Keep the appliance away from other heat emitting appliances.
- Do not allow the power supply cord to hang over worktops, touch hot surfaces or become twisted.
- Do not immerse the electrical components of this appliance in water or any other liquid.
- Do not operate the appliance with wet hands or if any connections are wet.
- If this appliance falls or accidentally becomes immersed in water, unplug it from the wall outlet immediately. Do not reach into the water.
- Do not leave the appliance unattended whilst connected to the mains power supply.
- Do not remove the appliance from the mains power supply by pulling the cord; switch it off and remove the

plug by hand.

- Do not pull or carry the appliance by its power supply cord.
- Do not use the appliance for anything other than its intended use.
- Do not use any accessories other than those supplied.
- Do not use this appliance outdoors.
- Do not store the appliance in direct sunlight or in high humidity conditions.
- Do not move the appliance whilst it is in use.
- Always unplug the appliance after use and allow it to cool fully before any cleaning, user maintenance or when storing it away.
- This appliance should not be operated by means of an external timer or separate remote control system.
- Use of an extension cord with the appliance is not recommended.
- Always use the appliance on a stable, heat-resistant surface, at a height that is comfortable for the user.
- This appliance is intended for domestic use only. It should not be used for commercial purposes.



CAUTION: Hot surface – do not touch hot sections or heating components of the appliance.



WARNING: Boiling water and steam can cause serious injury; exercise extreme caution when using this appliance.

Dos and don'ts

DO:

- Keep the appliance away from flammable materials.
- Exercise caution when using the kettle, as steam will be emitted from the spout and/or lid, especially whilst refilling.
- Always allow the kettle to cool thoroughly before touching or opening the lid.
- Take care when returning the kettle to the base; the heating element will remain hot after use.

DON'T:

- Open the lid while the kettle is boiling.
- Fill the kettle above its max. fill mark. Overfilling the kettle may cause boiling water to be ejected.
- Use the kettle if it has been dropped, if there are visible signs of damage or if it is leaking.

- Use the kettle if the water level is less than the minimum fill mark.
- Use any power base unit other than the one provided with this kettle.
- Put any liquid other than water into the kettle.

Boil-dry sensor

The kettle is equipped with a boil-dry sensor. If the kettle is accidentally turned on whilst empty, the boil-dry sensor will activate causing the power to switch off. The kettle will then remain inactive and the power switch will not function for several minutes until the kettle is cool. Do not try to use the kettle during this time; once it has cooled down, it will resume its normal function.

Care and maintenance

Wipe the kettle and power base with a soft, damp cloth then allow it to dry thoroughly.

Do not immerse the kettle in water or any other liquid. Never use harsh or abrasive cleaning detergents or scourers to clean the kettle as this could cause damage.

Removing limescale

Limescale can develop over time and may affect the performance and lifespan of the kettle.

It is recommended to descale the kettle regularly, at least once every three months, especially if the kettle is used in a hard water area. Frequent descaling will improve the performance and lifespan of the kettle.

STEP 1: Fill the kettle to the max. fill mark with cold water.

STEP 2: Add a commercial descaling agent to the kettle, adhering to the manufacturer's instructions. It is not recommended to use vinegar to descale the kettle.

STEP 3: Allow the kettle to boil, switch it off and leave to soak for at least 20 minutes or for the length of time specified on the descaling product.

STEP 4: Empty the kettle and refill to the max. fill mark with clean water. Boil the kettle once more and pour the water away after it has cooled. The kettle should now be descaled.



If the kettle switches off before it has boiled or a white deposit is noticed on the inside of the kettle, it needs to be descaled. Add a commercial descaling agent to the kettle, adhering to the manufacturer's instructions. It is not recommended to use vinegar to descale the kettle.

Instructions for use

Before first use

Before using the kettle for the first time, wipe it clean with a soft, damp cloth and dry thoroughly.

Check that the limescale filter is attached.