

Recipes

Whilst the non-stick coating requires no oil, a small amount can be lightly sprayed onto the cooking plates to create extra tasty omelettes. It is recommended to use oil when using the omelette maker to soften vegetables, such as mushrooms and onions.

Tomato and pesto omelette

Ingredients

2 eggs
4 cherry tomatoes, halved
1 tbsp red or green pesto
Salt and pepper, to taste

Method

Preheat the omelette maker.

In a mixing jug or bowl, beat the two eggs and season with salt and pepper. Stir in all of the ingredients and combine thoroughly.

Once the green ready indicator light has switched off, pour the omelette mixture evenly between the two non-stick cooking plates.

Close the lid and cook for approx. 6–8 minutes until fluffy.

Plain omelette

Ingredients

2–3 eggs
10 g cold butter, diced
Splash semi-skimmed milk
Salt and pepper, to taste

Method

Preheat the omelette maker.

In a mixing jug or bowl, beat the eggs and milk until smooth. Stir in the butter and season with salt and pepper.

Once the green ready indicator light has switched off, pour the omelette mixture evenly between the two non-stick cooking plates.

Close the lid and cook for approx. 6–8 minutes until fluffy.

Chorizo, spinach and goat's cheese omelette

Ingredients

2 eggs
50 g chorizo, diced
25 g goat's cheese
Handful spinach, chopped
¼ tsp butter
Salt and pepper, to taste

Method

Preheat the omelette maker.

In a mixing jug or bowl, beat the two eggs until smooth. Stir in the butter, chorizo and spinach. Season with salt and pepper.

When combined, add the goat's cheese.

Once the green ready indicator light has switched off, pour the omelette mixture evenly between the two non-stick cooking plates.

Close the lid and cook for approx. 6–8 minutes until fluffy.

Mediterranean omelette

Ingredients

2 eggs
25 g mozzarella, shredded
4 cherry tomatoes, chopped
1 green pepper, deseeded and chopped
½ garlic clove, crushed
⅓ onion, chopped

1 tsp thyme

1 tsp rosemary

1 tsp basil

1 tsp oregano

Salt and pepper, to taste

Method

Preheat the omelette maker.

In a mixing jug or bowl, beat the two eggs and season with salt and pepper. Add the tomatoes, onion, pepper, garlic and herbs.

Once the green ready indicator light has switched off, pour the omelette mixture evenly between the two non-stick cooking plates.

Close the lid and cook for approx. 4–5 minutes before adding the mozzarella. Continue to cook until the omelette is golden brown and fluffy.

Tomato, onion and cheese omelette

Ingredients

2 eggs
4 cherry tomatoes, chopped
¼ red onion, diced
Splash semi-skimmed milk
Grated cheddar, to taste
Salt and pepper, to taste
Spray oil

Method

Preheat the omelette maker.

Once the green ready indicator light has switched off, lightly spray the non-stick cooking plates with oil. Add the chopped tomatoes and onions and cook until softened.

In a mixing jug or bowl, beat the two eggs and add a splash of milk. Season with salt and pepper. Remove the tomatoes and onions from the non-stick cooking plates and add to the omelette mixture. Stir in the grated cheese.

Pour the omelette mixture evenly between the two non-stick cooking plates.

Close the lid and cook for approx. 6–8 minutes until fluffy.



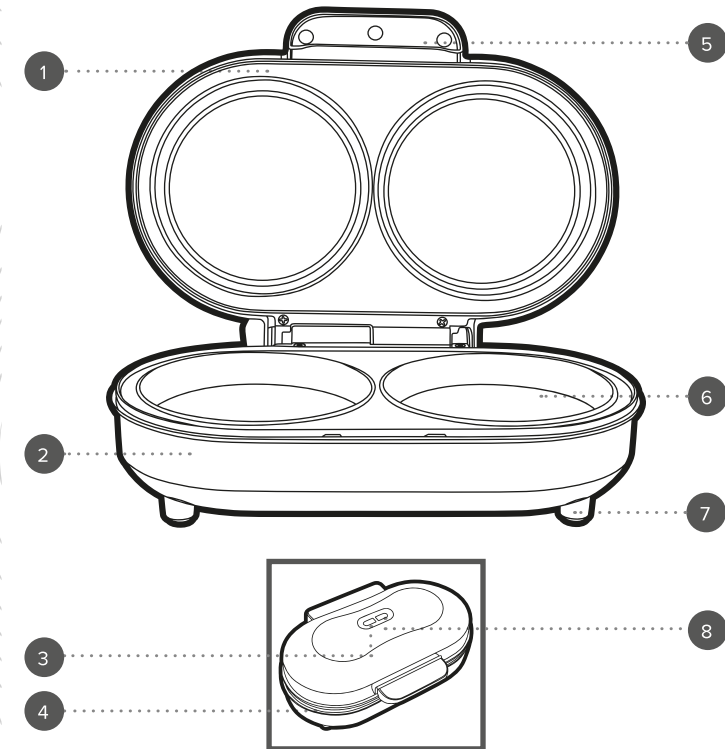
Disposal of Waste Batteries and Electrical and Electronic Equipment



This symbol on the product, its batteries or its packaging means that this product and any batteries it contains must not be disposed of with household waste. Instead, it is the user's responsibility to hand this over to an applicable collection point for the recycling of batteries and electrical and electronic equipment. This separate collection and recycling will help to conserve natural resources and prevent potential negative consequences for human health and the environment due to the possible presence of hazardous substances in batteries and electrical and electronic equipment, which could be caused by inappropriate disposal. Some retailers provide take-back services which allow the user to return exhausted equipment for appropriate disposal. **It is the user's responsibility to delete any data on electrical and electronic equipment prior to disposal.** For more information about where to drop batteries, electrical and electronic waste off, please contact the local city/municipality office, household waste disposal service, or the retailer.

User manual

Omelette maker



1. Upper housing
2. Lower housing
3. Red power indicator light
4. Omelette maker main unit

5. Cool-touch handle
6. Non-stick cooking plates
7. Non-slip feet
8. Green ready indicator light

Manufactured by:
Ultimate Products UK Ltd.,
Victoria Street, Manchester OL9 0DD. **UK.**
Ultimate Products Europe Ltd.,
19 Baggot Street Lower, Dublin D02 X658. **ROI.**

MADE IN CHINA.

CD000000/MD000000/V1

Please retain instructions for future reference.

SAFETY INSTRUCTIONS

- When using electrical appliances, basic safety precautions should always be followed.
- Check that the voltage indicated on the rating plate corresponds with that of the local network before connecting the appliance to the mains power supply.
- This appliance can be used by children aged from 8 years and above and persons with reduced physical, sensory or mental capabilities and knowledge, if they have been supervised/instructed and understand the hazards involved.
- Children shall not play with the appliance.
- Children should not perform cleaning or user maintenance, unless they are older than 8 and supervised.
- This appliance is not a toy.
- If the power supply cord, plug or any part of the appliance is malfunctioning or if it has been dropped or damaged, cease using the product immediately to avoid potential injury.
- This appliance contains no user serviceable parts, only a qualified electrician should carry out repairs. Improper repairs may place the user at risk of harm.
- Keep the appliance and its power supply cord out of the reach of children.
- Keep the appliance out of the reach of children when it is switched on or cooling down.
- Keep the appliance and its power supply cord away from heat or sharp edges that could cause damage.
- Keep the power supply cord away from any parts of the appliance that may become hot during use.
- Keep the appliance away from other heat emitting appliances.
- Do not allow the power supply cord to hang over worktops, touch hot surfaces or become twisted.
- Do not immerse the electrical components of the appliance in water or any other liquid.
- Do not operate the appliance with wet hands or if any connections are wet.
- If this appliance falls or accidentally becomes immersed in water, unplug it from the wall outlet immediately. Do not reach into the water.
- Do not leave the appliance unattended whilst connected to the mains power supply.
- Do not remove the appliance from the mains power supply by pulling the cord; switch it off and remove the plug by hand.
- Do not pull or carry the appliance by its power supply cord.
- Do not use the appliance for anything other than its intended use.
- Do not use any accessories other than those supplied.
- Do not use this appliance outdoors.
- Do not store the appliance in direct sunlight or in high humidity conditions.

- Do not move the appliance whilst it is in use.
- Always unplug the appliance after use and allow it to cool fully before any cleaning, user maintenance or storing away.
- Always use the appliance on a stable, heat-resistant surface, at a height that is comfortable for the user.
- This appliance should not be operated by means of an external timer or separate remote control system.
- Use of an extension cord with the appliance is not recommended.
- This appliance is intended for domestic use only. It should not be used for commercial purposes.



CAUTION: Hot surface – do not touch hot sections or heating components of the appliance.



WARNING: Keep the appliance away from flammable materials.

Care and maintenance

Before attempting any cleaning or maintenance, unplug the omelette maker from the mains power supply and allow to cool fully.

STEP 1: Wipe the omelette maker housing with a soft, damp cloth and dry thoroughly.

STEP 2: Remove baked-on food by applying a small amount of warm water mixed with a mild detergent to the non-stick cooking plates and wipe them clean with a paper towel. Use a nonabrasive scourer if the food is difficult to remove.

Never use harsh or abrasive cleaning detergents or scourers to clean the omelette maker or its accessories, as this could damage the surface.



NOTE: The omelette maker should be cleaned after each use.

Instructions for use

Before first use

Clean the omelette maker following the instructions in the section entitled 'Care and maintenance'.



NOTE: When using the omelette maker for the first time, a slight smoke or odour may be emitted. This is normal and will soon subside. Allow for sufficient ventilation around the omelette maker.

Using the omelette maker

STEP 1: Prepare the omelette mixture that is to be cooked.

STEP 2: Plug in and switch on the omelette maker at the mains power supply. The red power indicator light and green ready indicator light will illuminate, signalling that the omelette maker has been switched on

and is heating up.

STEP 3: Preheat the omelette maker; this will take approx. 2–3 minutes. The green ready indicator light will switch off once the required temperature has been reached.

STEP 4: Carefully open the lid using heat-resistant gloves.

STEP 5: Pour the prepared omelette mixture evenly between the two non-stick cooking plates and then close the lid.

STEP 6: Cook the omelette mixture for approx. 5 minutes or until puffy and golden brown. The cooking time will vary dependent upon the type and quantity of ingredients used.

STEP 7: Once cooking is complete, use heat-resistant gloves to carefully open the lid and then remove the cooked omelette using a heat-resistant plastic or wooden spatula.

STEP 8: When cooking multiple omelettes, close the lid after removing each omelette to maintain the heat and wait for the green ready indicator light to switch off before adding further ingredients.

STEP 9: Switch off and unplug the omelette maker from the mains power supply to turn it off. Leave the lid open and allow to cool.



NOTE: Always preheat the non-stick cooking plates before use. During use the red power indicator light will cycle on and off to signal that the omelette maker is maintaining temperature. To prolong the life of the non-stick coating, carefully apply a thin coat of cooking oil to the non-stick cooking plates. Some ingredients, such as tomatoes and onions, can be partially cooked on the non-stick cooking plates before adding the omelette mix if required.



CAUTION: The non-stick cooking plates get very hot during use; always use heat-resistant gloves to avoid injury.



WARNING: Exercise caution during cooking; the omelette maker will emit steam. Never use the omelette maker with the lid open.

Storage

Check that the omelette maker is cool, clean and dry before storing in a cool, dry place.

Never wrap the cord tightly around the omelette maker; wrap it loosely to avoid causing damage.

Specifications

Product code: EK6350

Input: 220–240 V ~ 50–60 Hz

Output: 850 W