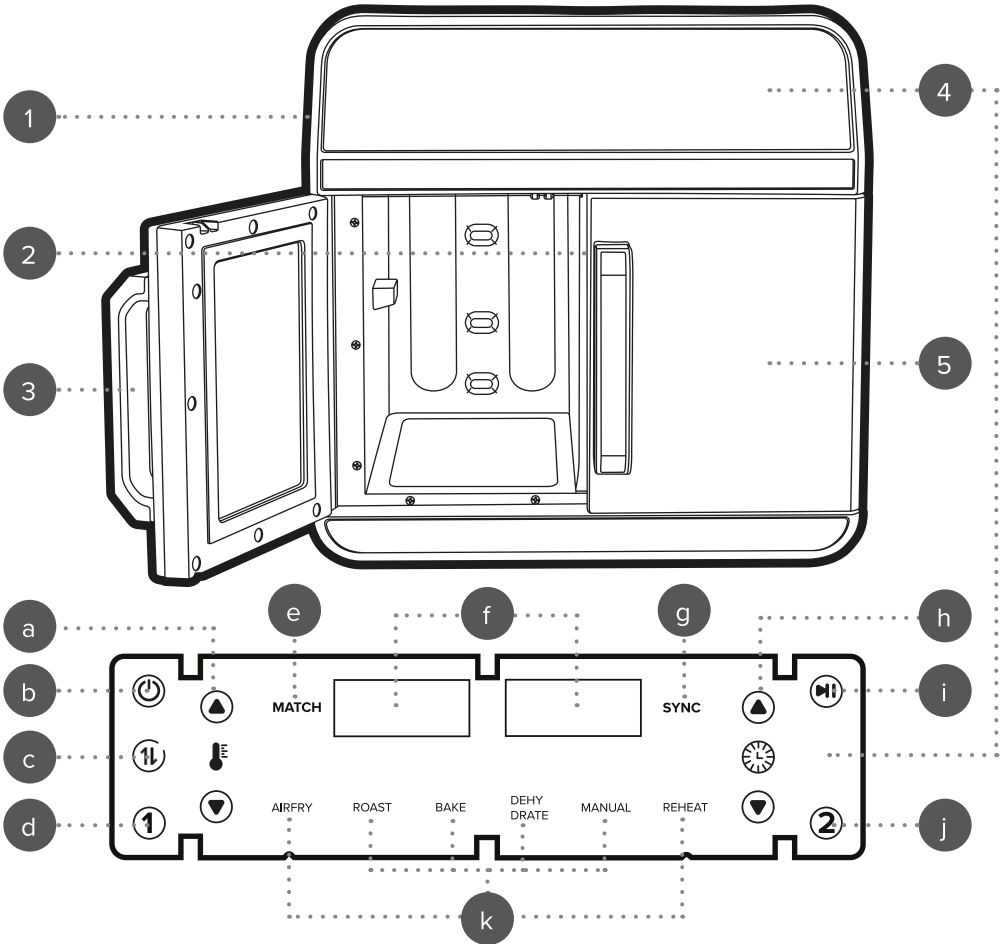
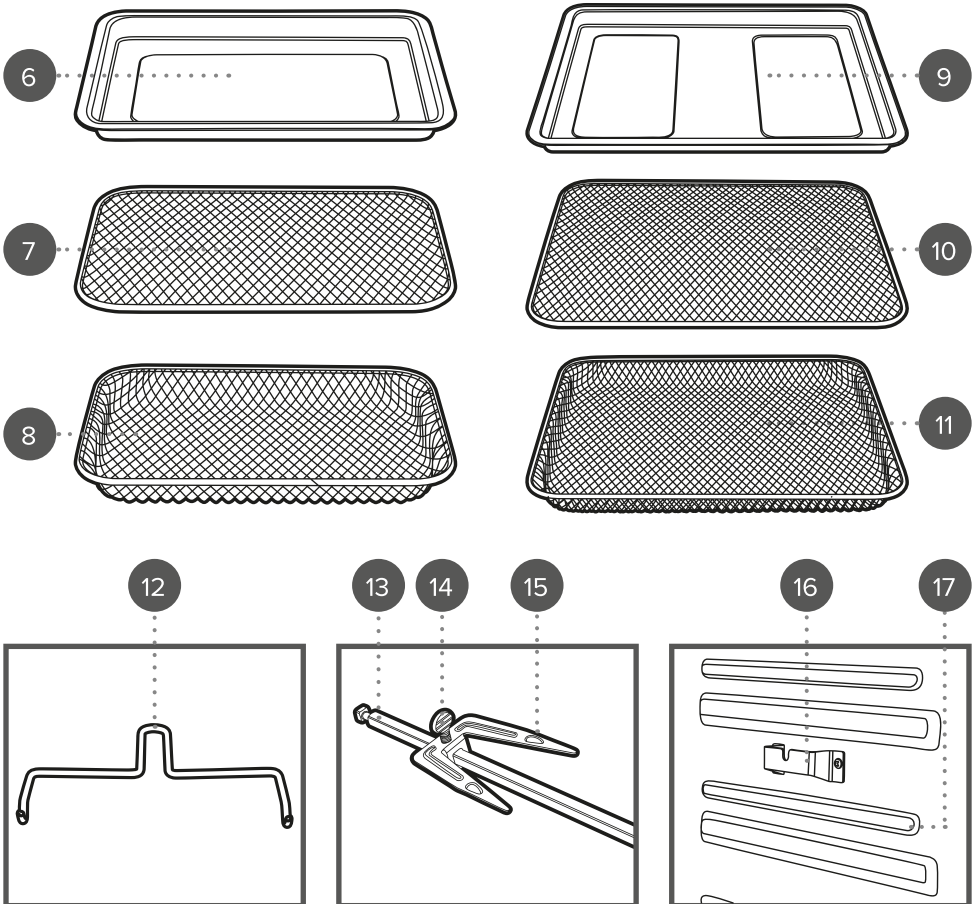


User manual

Air fryer oven





1. Air fryer oven main unit
2. Compartment divider
3. Compartment door handle
4. Digital control panel
 - a. Temperature control button
 - b. Power button
 - c. Rotisserie function
 - d. Compartment 1 button
 - e. Match cook button
 - f. LED display
 - g. Sync cook button
 - h. Time control button
 - i. Start/pause button
 - j. Compartment 2 button
 - k. Function buttons
5. Compartment door (qty. 2)
6. Small non-stick coated drip tray (qty. 2)
7. Small mesh cooking tray (qty. 2)
8. Small mesh cooking basket (qty. 2)
9. Large non-stick coated drip tray
10. Large mesh cooking tray
11. Large mesh cooking basket
12. Rotisserie tong
13. Rotisserie bar
15. Rotisserie forks
14. Rotisserie fork tightening screw
16. Rotisserie bar bracket (inside)
17. Rotisserie bar rotating slot (inside)

Please retain instructions for future reference.

SAFETY INSTRUCTIONS

- When using electrical appliances, basic safety precautions should always be followed.
- Check that the voltage indicated on the rating plate corresponds with that of the local network before connecting the appliance to the mains power supply.
- This appliance can be used by children aged from 8 years and above and persons with reduced physical, sensory or mental capabilities and knowledge, if they have been supervised/instructed and understand the hazards involved.
- Children shall not play with the appliance.
- Children should not perform cleaning or user maintenance, unless they are older than 8 and supervised.
- This appliance is not a toy.
- If the power supply cord, plug or any part of the appliance is malfunctioning or if it has been dropped or damaged, cease using the product immediately to avoid potential injury.
- This appliance contains no user serviceable parts, only a qualified electrician should carry out repairs. Improper repairs may place the user at risk of harm.
- Keep the appliance and its power supply cord out of the reach of children.
- Keep the appliance out of the reach of children when it is switched on or cooling down.
- Keep the appliance and its power supply cord away from heat or sharp edges that could cause damage.
- Keep the power supply cord away from any parts of the appliance that may become hot during use.
- Keep the appliance away from other heat emitting appliances.
- Do not allow the power supply cord to hang over worktops, touch hot surfaces or become twisted.
- Do not immerse the electrical components of the appliance in water or any other liquid.
- Do not operate the appliance with wet hands or if any connections are wet.
- If this appliance falls or accidentally becomes immersed in water, unplug it from the wall outlet immediately. Do not reach into the water.
- Do not leave the appliance unattended whilst connected to the mains power supply.
- Do not remove the appliance from the mains power supply by pulling the cord; switch it off and remove the plug by hand.
- Do not pull or carry the appliance by its power supply cord.
- Do not use the appliance for anything other than its intended use.
- Do not use any accessories other than those supplied.
- Do not use this appliance outdoors.
- Do not store the appliance in direct sunlight or in high humidity conditions.
- Do not move the appliance whilst it is in use.
- Always unplug the appliance after use and allow it to cool fully before any cleaning, user maintenance or storing away.
- Always use the appliance on a stable, heat-resistant surface, at a height that is comfortable for the user.
- This appliance should not be operated by means of an external timer or separate remote control system.
- Use of an extension cord with the appliance is not recommended.
- This appliance is intended for domestic use only. It should not be used for commercial purposes.



CAUTION: Hot surface – do not touch hot sections or heating components of the appliance.



WARNING: Keep the appliance away from flammable materials.

Dos and don'ts

DO:

Check that the compartment doors are securely fitted before use. Not doing so will prevent the air fryer oven from operating.

Only hold the cooking trays with heat-resistant oven gloves.

Take care when removing the cooking trays, as steam may be emitted.

Ensure there is a sufficient gap between the unit and any obstructions.

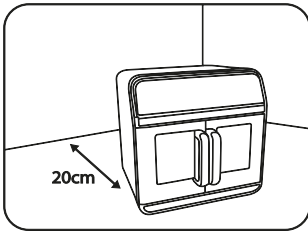
DON'T:

Cover the air fryer oven or its vents, as this will disrupt the airflow and could affect the cooking results.

Fill the cooking trays with oil or any other liquid.

Touch the cooking trays during or straight after use, as they will be hot.

Remove the divider until the unit has fully cooled.



WARNING: ENSURE THAT THE AIR FRYER OVEN HAS AT LEAST 20 CM OF FREE SPACE IN ALL DIRECTIONS BEFORE USE.

Automatic switch-off

The air fryer oven is fitted with an automatic switch-off. This may activate if the set cooking time has elapsed, causing the timer to sound and the automatic switch-off to activate, turning off the air fryer oven.



NOTE: If the air fryer oven needs to be turned off before the set cooking time has elapsed, switch off and unplug it from the mains power supply.

Care and maintenance

Before attempting any cleaning or maintenance, switch off and unplug the air fryer oven from the mains power supply and allow it to fully cool.

STEP 1: Wipe the air fryer oven main unit with a soft, damp cloth and dry thoroughly.

STEP 2: Clean all the accessories in warm, soapy water, then rinse and dry thoroughly.

Do not immerse the air fryer oven main unit in water or any other liquid.

Never use harsh or abrasive cleaning detergents or scourers to clean the air fryer oven or its accessories, as this could cause damage.



NOTE: The air fryer oven should be cleaned after each use. For easier access, remove the compartment doors. To do this, fully open the compartment doors, then slide and pull them away from the centre of the air fryer oven. To refit the compartment doors, repeat the above in reverse.

Instructions for use

Before first use

Clean the air fryer oven following the instructions in the section entitled 'Care and maintenance'.



NOTE: When using the air fryer oven for the first time, a slight smoke or odour may be emitted. This is normal and will soon subside. Allow for sufficient ventilation around the air fryer oven during use. It is advised to run the air fryer oven without food for approx. 10 minutes before first use; this will prevent the initial smoke or odour from affecting the taste of the food.

Inserting accessories into the air fryer oven

To fit the large/small mesh cooking trays into the cooking compartments, slide them into the main unit and ensure they are seated securely.

To use the large accessories, ensure the divider is removed before inserting it into the main unit.

To use the small accessories, ensure the divider is in place before inserting them into the main unit.

To insert the divider correctly, ensure the guide arrow on the divider is pointing towards the back of the main unit. If the orientation is correct, the divider will slot in easily.



WARNING: Do not force any accessories into the main unit, as this may cause damage.

Manual setting

The time and temperature can be set manually; time and temperature values are dependent on the food being cooked.

STEP 1: Plug in and switch on the air fryer oven at the mains power supply; the air fryer oven will beep and the power button will illuminate to indicate that the unit is plugged in. Compartment 1 will flash on the LED display.

STEP 2: Select the relevant compartment by tapping '1' or '2'.

STEP 3: To adjust the setting manually, press the manual button, then the time control buttons to change the cooking time, up to a max. of 60 mins (or up to a max. of 24 hours for dehydration).

STEP 4: Tap the temperature control buttons to adjust the cooking temperature from 40 to 210 °C (or max. 90 °C for dehydration). To use only one compartment, do not select any settings for the other.

STEP 5: Press the start/pause button to begin cooking.



NOTE: Refer to the recipe booklet for additional information and cooking guidelines.

Preset functions

STEP 1: Press one of the function buttons to use a preset cooking function.

The display will cycle automatically between the preset time and temperature.

These presets can then be adjusted using the time and temperature control buttons as required.

The time and temperature control buttons may be held down to quickly adjust the time or temperature.

STEP 2: Press the start/pause button to begin heating when the time and temperature have been set. Time and temperature can be changed during use by tapping the drawer number and using the time and temperature control buttons.

STEP 3: Once cooking is complete and the preset time has elapsed, the timer will sound and the air fryer oven will switch off.

STEP 4: To switch off the air fryer oven, press and hold the power button.



NOTE: If the cooking compartment door is opened during cooking, the air fryer oven will stop cooking; close the cooking compartment door to resume the cooking process.

Cooking functions

Function	Pre-set temperature (°C)	Pre-set time	Temperature range (°C)	Time range
Air fry	200	18 mins	120–210	1 min–4 hours
Roast	160	25 mins	120–210	1 min–4 hours
Bake	200	20 mins	120–210	1 min–4 hours
Dehydrate	45	20 hours	40–90	1 min–24 hours
Manual	170	15 mins	40–210	1 min–1 hour
Reheat	180	15 mins	130–210	1 min–1 hour

Using the sync cook setting

When cooking different foods in the divided compartments with different times and temperatures, use the sync setting so that both sections finish cooking at the same time.

STEP 1: Tap '1' and set the required settings for the first cooking compartment.

STEP 2: Repeat for the second cooking compartment by tapping '2'.

STEP 3: Press the sync cook button; the button will flash to signal that the setting has been selected.

STEP 4: Press the start/pause button to begin cooking. The second cooking compartment display will show 'HOLD' until it is ready to begin cooking.

Using the match cook setting

Use the match setting when using the divided compartments to cook the same foods; cooking will finish at the same time for both compartments.

STEP 1: Tap '1' and set the required settings for the first divided cooking compartment, following the instructions in the section entitled 'Using the control panel'.

STEP 2: Press the match cook button; the button will flash to signal that the setting has been selected.

STEP 3: Press the start/pause button to begin cooking.



NOTE: The power button will remain illuminated whilst the unit is plugged in.

Using the rotisserie function

The rotisserie function can be used to cook large foods, such as whole chicken or meat joints.

STEP 1: Prepare the food to be cooked by skewering it with the rotisserie bar, making sure that the bar goes through the centre of the food.

STEP 2: Use the two rotisserie forks to hold the food in place. Put one fork on either end of the rotisserie bar with the forks pointing towards each other, then use them to clamp the food securely.

STEP 3: Tighten the forks into place with the tightening screws. It should be possible to rotate the rotisserie bar without the food slipping.

STEP 4: Carefully place the rotisserie bar into the rotating slot at the left side of the cooking compartment, then gently lower the rotisserie bar into the rotisserie bar bracket at the right side of the cooking compartment. The rotisserie bar should be able to spin freely in the bracket.

STEP 5: Select the rotisserie function, then set the time and temperature on the control panel by following the instructions in the section entitled 'Using the air fryer oven'.



NOTE: Food must be able to turn fully and should not rub against any side of the cooking compartment whilst rotating. Always use the non-stick coated drip tray to catch any excess oil or juices from food being cooked. Always use the rotisserie tongs to remove hot food.

Using the air fryer oven

STEP 1: Plug in and switch on the air fryer oven at the mains power supply; the air fryer oven will beep and the power button will illuminate to indicate that the unit is plugged in.

STEP 2: Tap the power button to switch on the air fryer oven; compartment 1 will flash on the LED display.

STEP 3: Using the control panel, select the time and temperature control buttons to increase or decrease the

time or temperature as required.

STEP 4: Place the ingredients into the cooking tray and then slide the cooking tray back into the air fryer oven main unit to and close the cooking compartment door.

STEP 5: Use the control panel to set the cooking time and temperature as required for the ingredients. Time and temperature settings can also be set using the cooking function buttons, which automatically cycle between time and temperature presets for cooking various foods when pressed. These presets can then be adjusted using the time and temperature control buttons as required.

STEP 6: Some ingredients may require shaking halfway through the cooking time. Remove the cooking tray from the air fryer oven main unit using heat-resistant oven gloves. Shake the cooking tray gently and then slide back into the air fryer main unit to continue cooking.

STEP 7: Once cooking is complete and the preset time has elapsed, the air fryer will beep several times and switch off. Check whether the ingredients are ready; if the ingredients are not cooked, close the cooking compartment door. Use the control panel to adjust the cooking time accordingly.

STEP 8: Empty the cooked contents into a bowl or onto a plate by using a pair of heat-resistant tongs (not included).



NOTE: If the cooking time or temperature setting needs to be changed during use, use the time and temperature control buttons, as required. The air fryer oven will automatically adjust the settings. To view the food cooking through the glass windows, use the compartment light buttons to illuminate the food inside.



CAUTION: Exercise caution when opening and closing the cooking compartment door during use, as the air fryer oven will become very hot.



WARNING: Nominal voltage is still present even when the air fryer oven is switched off. To permanently switch off the air fryer oven, unplug it from the mains power supply.

Storage

Check that the air fryer oven is cool, clean and dry before storing in a cool, dry place. Never wrap the cord tightly around the air fryer oven; wrap it loosely to avoid causing damage.

Specifications

Product code: EK6231

Input: 220–240 V ~ 50/60 Hz

Output: 2300 W



Disposal of Waste Batteries and Electrical and Electronic Equipment



This symbol on the product, its batteries or its packaging means that this product and any batteries it contains must not be disposed of with household waste. Instead, it is the user's responsibility to hand this over to an applicable collection point for the recycling of batteries and electrical and electronic equipment. This separate collection and recycling will help to conserve natural resources and prevent potential negative consequences for human health and the environment due to the possible presence of hazardous substances in batteries and electrical and electronic equipment, which could be caused by inappropriate disposal. Some retailers provide take-back services which allow the user to return exhausted equipment for appropriate disposal. **It is the user's responsibility to delete any data on electrical and electronic equipment prior to disposal.** For more information about where to drop batteries, electrical and electronic waste off, please contact the local city/municipality office, household waste disposal service, or the retailer.

Manufactured by:
Ultimate Products UK Ltd.,
Victoria Street, Manchester OL9 0DD. **UK.**
Ultimate Products Europe Ltd.,
19 Baggot Street Lower, Dublin D02 X658. **ROI.**

MADE IN CHINA.

CD150524/MD000000/V1