

Tuna and cheese melt

Ingredients

2 slices granary bread
50 g tinned tuna steak, drained
25 g mature cheddar, grated
½ red onion, finely diced
1 tbsp mayonnaise

Method

Combine the tuna steak, cheddar, red onion and mayonnaise in a bowl. Mix well. Evenly spread the mixture onto one slice of the granary bread. Add the second slice of granary bread on top, to complete the sandwich. Place the sandwich onto the lower non-stick coated cooking plate. Close the lid and then cook the sandwich for approx. 3–4 minutes, until crispy.

Pesto, mozzarella and sundried tomato

Ingredients

2 slices thickly sliced, white bread
4 sundried tomatoes, sliced
50 g mozzarella, sliced
1 tbsp green pesto

Method

Evenly spread the green pesto onto one slice of the white bread and then arrange the sundried tomatoes and mozzarella on top. Add the second slice of white bread on top, to complete the sandwich. Place the sandwich onto the lower non-stick coated cooking plate. Close the lid and then cook the sandwich for approx. 3–4 minutes, until crispy.

Avocado, tomato and feta

Ingredients

2 slices granary bread
30 g feta, crumbled
½ tomato, sliced
¼ ripe avocado

Method

Evenly spread the avocado, tomato and feta onto one slice of the granary bread. Add the second slice of granary bread on top, to complete the sandwich. Place the sandwich onto the lower non-stick coated cooking plate. Close the lid and then cook the sandwich for approx. 3–4 minutes, until crispy.

Strawberry, banana and hazelnut chocolate

Ingredients

2 slices wholemeal bread
4 strawberries, sliced
½ banana, sliced
1 tbsp hazelnut chocolate spread

Method

Evenly spread the hazelnut chocolate spread onto one slice of the wholemeal bread and then arrange the strawberries and banana on top. Add the second slice of wholemeal bread on top, to complete the sandwich. Place the sandwich onto the lower non-stick coated cooking plate. Close the lid and then cook the sandwich for approx. 3–4 minutes, until crispy.

Caramelised banana

Ingredients

2 slices wholemeal bread
1 banana, sliced
1 tbsp brown sugar
1 tbsp butter
Pinch of ground cinnamon

Method

Using a frying pan, cook the banana in the butter for approx. 30 seconds. Add the sugar and cinnamon to the frying pan and cook until the sugar has dissolved. Evenly spread the mixture onto one slice of the wholemeal bread. Add the second slice of wholemeal bread on top, to complete the sandwich. Place the sandwich onto the lower non-stick coated cooking plate. Close the lid and then cook the sandwich for approx. 3–4 minutes, until crispy.



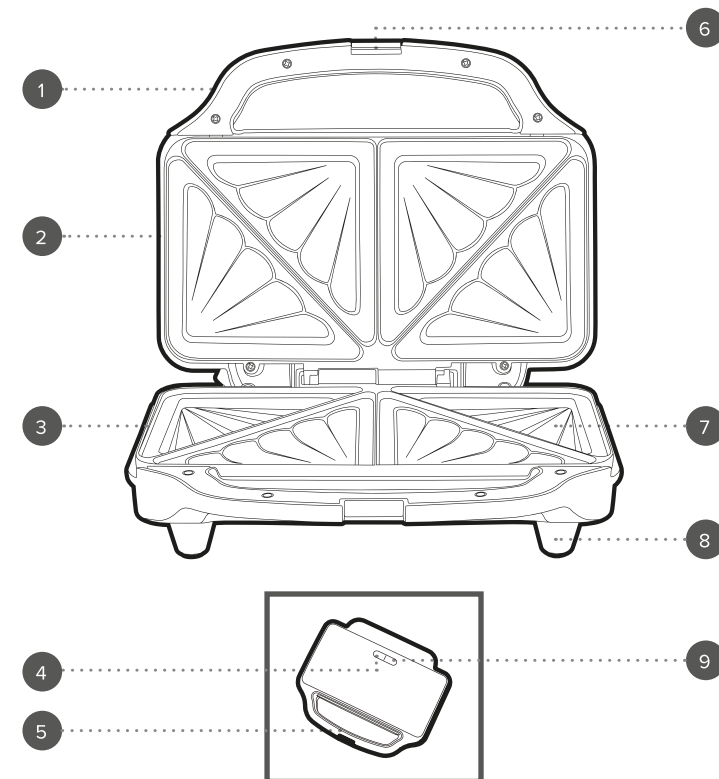
Disposal of Waste Batteries and Electrical and Electronic Equipment



This symbol on the product, its batteries or its packaging means that this product and any batteries it contains must not be disposed of with household waste. Instead, it is the user's responsibility to hand this over to an applicable collection point for the recycling of batteries and electrical and electronic equipment. This separate collection and recycling will help to conserve natural resources and prevent potential negative consequences for human health and the environment due to the possible presence of hazardous substances in batteries and electrical and electronic equipment, which could be caused by inappropriate disposal. Some retailers provide take-back services which allow the user to return exhausted equipment for appropriate disposal. **It is the user's responsibility to delete any data on electrical and electronic equipment prior to disposal.** For more information about where to drop batteries, electrical and electronic waste off, please contact the local city/municipality office, household waste disposal service, or the retailer.

User manual

Deep fill sandwich toaster



1. Sandwich toaster main unit
2. Upper housing
3. Lower housing
4. Red power indicator light
5. Cool-touch handle

6. Handle lock
7. Non-stick coated cooking plates
8. Non-slip feet
9. Green ready indicator light

Manufactured by:
Ultimate Products UK Ltd.,
Victoria Street, Manchester OL9 0DD. **UK.**
Ultimate Products Europe Ltd.,
19 Baggot Street Lower, Dublin D02 X658. **ROI.**

MADE IN CHINA.

CD030424/MD000000/V1

SAFETY INSTRUCTIONS

- When using electrical appliances, basic safety precautions should always be followed.
- Check that the voltage indicated on the rating plate corresponds with that of the local network before connecting the appliance to the mains power supply.
- This appliance can be used by children aged from 8 years and above and persons with reduced physical, sensory or mental capabilities and knowledge, if they have been supervised/instructed and understand the hazards involved.
- Children shall not play with the appliance.
- Children should not perform cleaning or user maintenance, unless they are older than 8 and supervised.
- This appliance is not a toy.
- If the power supply cord, plug or any part of the appliance is malfunctioning or if it has been dropped or damaged, cease using the product immediately to avoid potential injury.
- This appliance contains no user serviceable parts, only a qualified electrician should carry out repairs. Improper repairs may place the user at risk of harm.
- Keep the appliance and its power supply cord out of the reach of children.
- Keep the appliance out of the reach of children when it is switched on or cooling down.
- Keep the appliance and its power supply cord away from heat or sharp edges that could cause damage.
- Keep the power supply cord away from any parts of the appliance that may become hot during use.
- Keep the appliance away from other heat emitting appliances.
- Do not allow the power supply cord to hang over worktops, touch hot surfaces or become twisted.
- Do not immerse the electrical components of the appliance in water or any other liquid.
- Do not operate the appliance with wet hands or if any connections are wet.
- If this appliance falls or accidentally becomes immersed in water, unplug it from the wall outlet immediately. Do not reach into the water.
- Do not leave the appliance unattended whilst connected to the mains power supply.
- Do not remove the appliance from the mains power supply by pulling the cord; switch it off and remove the plug by hand.
- Do not pull or carry the appliance by its power supply cord.
- Do not use the appliance for anything other than its intended use.
- Do not use any accessories other than those supplied.
- Do not use this appliance outdoors.
- Do not store the appliance in direct sunlight or in high humidity conditions.
- Do not move the appliance whilst it is in use.
- Always unplug the appliance after use and allow it to cool fully before any cleaning, user maintenance or storing away.

- Always use the appliance on a stable, heat-resistant surface, at a height that is comfortable for the user.
- This appliance should not be operated by means of an external timer or separate remote control system.
- Use of an extension cord with the appliance is not recommended.
- This appliance is intended for domestic use only. It should not be used for commercial purposes.



CAUTION: Hot surface – do not touch hot sections or heating components of the appliance.



WARNING: Keep the appliance away from flammable materials.

Dos and don'ts

DO:

Switch off the appliance and disconnect it from the mains power supply before changing or fitting attachments.

DON'T:

Use attachments if they are loose, damaged or broken.

Care and maintenance

STEP 1: Before attempting any cleaning or maintenance, unplug the sandwich toaster from the mains power supply and allow to fully cool.

STEP 2: Wipe the sandwich toaster housing with a soft, damp cloth and dry thoroughly.

STEP 3: Remove baked-on food by applying a small amount of warm water mixed with a mild detergent to the non-stick coated cooking plates, then wipe them clean with a paper towel or nonabrasive scourer.

Never use harsh or abrasive cleaning detergents or scourers to clean the sandwich toaster, as this could damage the surface.



NOTE: The sandwich toaster should be cleaned after each use.

Instructions for use

Before first use

STEP 1: Switch off and unplug the sandwich toaster from the mains power supply.

STEP 2: Wipe the sandwich toaster housing with a soft, damp cloth and dry thoroughly.



NOTE: When using the sandwich toaster for the first time, a slight smoke or odour may be emitted. This is normal and will soon subside. Allow for sufficient ventilation around the sandwich toaster.

Using the sandwich toaster

STEP 1: Prepare the sandwich that is to be toasted, taking care not to overfill the bread, as this could cause the ingredients to overflow.

STEP 2: Plug in and switch on the sandwich toaster at the mains power supply. The red power indicator light will illuminate, signalling that the sandwich toaster has been switched on and is heating up.

STEP 3: Preheat the sandwich toaster for approx. 3 minutes. The green ready indicator light will illuminate once the required temperature has been reached.

STEP 4: Carefully apply a thin coat of cooking oil to the non-stick coated cooking plates, rubbing it in carefully with a paper towel. This will help to prolong the life of the non-stick coating and stop the sandwich from sticking.

STEP 5: Place the prepared sandwich onto the lower non-stick coated cooking plate and then close the lid.

STEP 6: Toast the sandwich for approx. 2–4 minutes; check periodically by carefully opening the lid. If needed, the sandwich can be cooked a little while longer, until it is browned to preference.

STEP 7: Once cooking is complete, carefully open the lid and remove the toasted sandwich with a heat-resistant plastic or wooden spatula.

STEP 8: Switch off and unplug the sandwich toaster from the mains power supply and allow it to cool by leaving the lid open.



NOTE: Always preheat the non-stick coated cooking plates before starting to cook. During use the green ready indicator will cycle on and off to signal that the sandwich toaster is maintaining the temperature.



CAUTION: The non-stick coated cooking plates get very hot during use; always use heat-resistant gloves to avoid injury.



WARNING: Exercise caution during cooking; the sandwich toaster will emit steam.

Storage

Check that the sandwich toaster is cool, clean and dry before storing in a cool, dry place. Never wrap the cord tightly around the sandwich toaster; wrap it loosely to avoid causing damage.

Specifications

Product code: EK6344 / EK2017

Input: 220–240 V~ 50/60 Hz

Output: 900 W

Recipes

Cheese and chorizo

Ingredients

2 slices granary bread

50 g cheddar, sliced

50 g chorizo

Method

Evenly spread the cheddar and chorizo onto one slice of the granary bread.

Add the second slice of granary bread on top, to complete the sandwich.

Place the sandwich onto the lower non-stick coated cooking plate.

Close the lid and then cook the sandwich for approx. 3–4 minutes, until crispy.

Chicken and mustard mayonnaise

Ingredients

2 slices granary bread

50 g cooked chicken breast, thinly sliced

1 tbsp mayonnaise

1 tbsp French mustard

Handful of rocket

Method

Combine the mustard and mayonnaise in a bowl. Add the chicken and mix well.

Evenly spread the mixture onto one slice of the granary bread and then sprinkle on the rocket.

Add the second slice of granary bread on top, to complete the sandwich.

Place the sandwich onto the lower non-stick coated cooking plate.

Close the lid and then cook the sandwich for approx. 3–4 minutes, until crispy.

Camembert and cranberry

Ingredients

2 slices wholemeal bread

50 g camembert, sliced

1 tbsp cranberry sauce

Small handful of rocket

Method

Combine the camembert and cranberry sauce in a bowl. Mix well.

Evenly spread the mixture onto one slice of the wholemeal bread and then sprinkle on the rocket.

Add the second slice of wholemeal bread on top, to complete the sandwich.

Place the sandwich onto the lower non-stick coated cooking plate.

Close the lid and then cook the sandwich for approx. 3–4 minutes, until crispy.