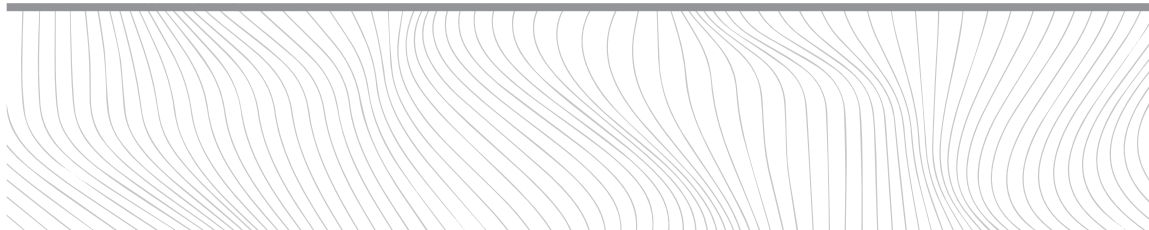
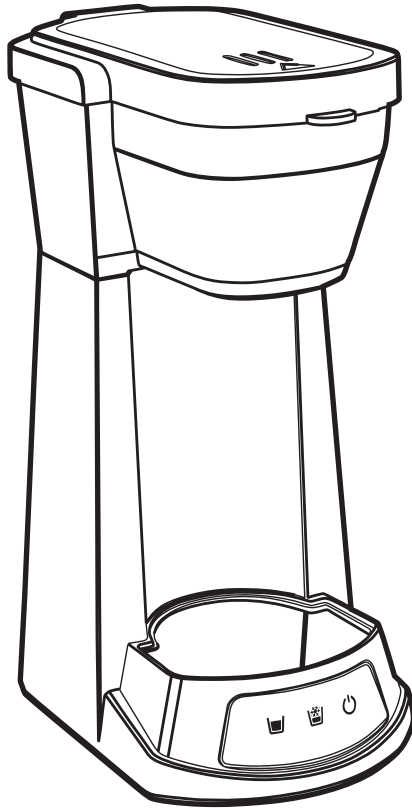
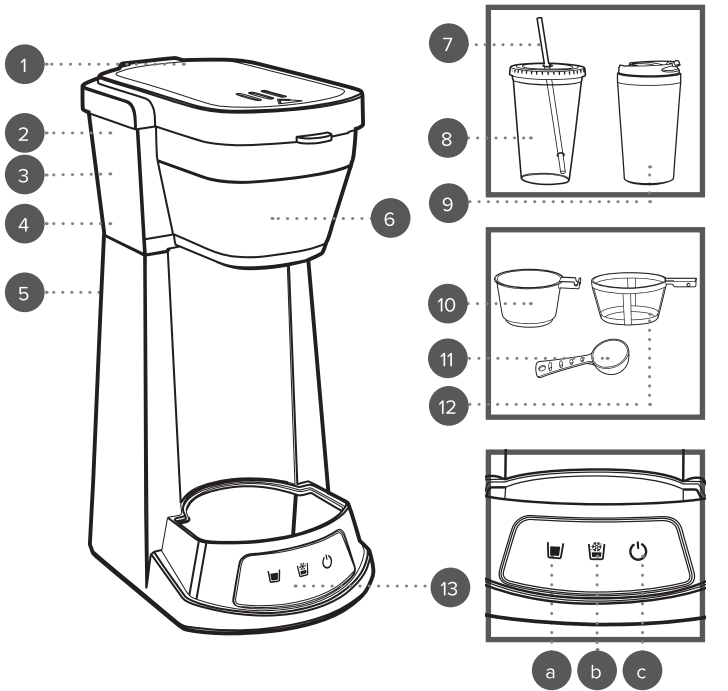


User manual

Iced coffee maker



Description of parts



1. Top lid
2. Water tank
3. Max. fill line (400 ml)
4. Min. fill line (230 ml)
5. Iced coffee maker main unit
6. Brewing chamber
7. Coffee cup straw
8. Coffee cup

9. Travel mug
10. Funnel
11. Measuring spoon
12. Filter
13. Control panel
 - a. Brew hot coffee button ☕
 - b. Brew iced coffee button 🧊
 - c. Power button ⏻

Please retain instructions for future reference.

SAFETY INSTRUCTIONS

- When using electrical appliances, basic safety precautions should always be followed.
- Check that the voltage indicated on the rating plate corresponds with that of the local network before connecting the appliance to the mains power supply.
- This appliance can be used by children aged from 8 years and above and persons with reduced physical, sensory or mental capabilities and knowledge, if they have been supervised/instructed and understand the hazards involved.
- Children shall not play with the appliance.
- Children should not perform cleaning or user maintenance, unless they are older than 8 and supervised.
- This appliance is not a toy.
- If the power supply cord, plug or any part of the appliance is malfunctioning or if it has been dropped or damaged, cease using the product immediately to avoid potential injury.
- This appliance contains no user serviceable parts, only a qualified electrician should carry out repairs. Improper repairs may place the user at risk of harm.
- Keep the appliance and its power supply cord out of the reach of children.
- Keep the appliance out of the reach of children when it is switched on or cooling down.
- Keep the appliance and its power supply cord away from heat or sharp edges that could cause damage.
- Keep the power supply cord away from any parts of the appliance that may become hot during use.
- Keep the appliance away from other heat emitting appliances.
- Do not allow the power supply cord to hang over worktops, touch hot surfaces or become twisted.
- Do not immerse the electrical components of this appliance in water or any other liquid.
- Do not operate the appliance with wet hands or if any connections are wet.
- Do not leave the appliance unattended whilst connected to the mains power supply.
- Do not remove the appliance from the mains power supply by pulling the cord; switch it off and remove the plug by hand.
- Do not pull or carry the appliance by its power supply cord.
- Do not use the appliance for anything other than its intended use.
- Do not use any accessories other than those supplied.
- Do not use this appliance outdoors.
- Do not store the appliance in direct sunlight or in high humidity conditions.
- Do not move the appliance whilst it is in use.
- If this appliance falls or accidentally becomes immersed in water, unplug it from the wall outlet immediately. Do not reach into the water.
- Always unplug the appliance after use and allow it to cool fully before any cleaning, user maintenance or storing away.
- Always use the appliance on a stable, heat-resistant surface, at a height that is comfortable for the user.

- This appliance should not be operated by means of an external timer or separate remote control system.
- Use of an extension cord with the appliance is not recommended.
- This appliance is intended for domestic use only. It should not be used for commercial purposes.



CAUTION: Hot surface – do not touch hot sections or heating components of the appliance.



WARNING: Boiling water and steam can cause serious injury; exercise extreme caution when using this appliance.

Dos and don'ts

DO:

Allow the iced coffee maker to cool for approx. 5 mins before making a second cup of coffee. This prevents the water tank from overheating which could cause steam to escape and injure the user. Immediately unplug the iced coffee maker if water or coffee is not draining from the filter. Wait approx. 10 minutes before opening and checking the filter.

DON'T:

Switch on the iced coffee maker without any water in the water tank.
 Open the top lid during the brewing cycle, even if there is no water draining from the funnel.
 Leave the iced coffee maker unattended during the brewing cycle.
 Attempt to start another brewing cycle before the iced coffee maker has cooled down, as this may result in an incomplete cycle; the iced coffee maker employs a thermal reset switch to prevent overheating.

Care and maintenance

Before attempting any cleaning or maintenance, unplug the iced coffee maker from the mains power supply and allow it to cool fully.

STEP 1: Wipe the iced coffee maker main unit with a soft, damp cloth and allow to dry thoroughly. Never use harsh or abrasive cleaning detergents or scourers to clean the iced coffee maker, as this could cause damage.

STEP 2: Wash the filter, funnel, cup, and travel mug in warm, soapy water, then rinse and dry thoroughly.



NOTE: The iced coffee maker should be cleaned after each use.

Removing limescale



Limescale can develop over time and may affect the performance and lifespan of the iced coffee maker. It is recommended to descale the iced coffee maker regularly, at least once every 6–8 weeks, especially if used in a hard water area. Frequent descaling will improve the performance and lifespan of the iced coffee maker.

STEP 1: Fill the water tank to the max. fill mark with cold water.

STEP 2: Add a commercial descaling agent, adhering to the manufacturer's instructions. It is not recommended to use vinegar to descale the iced coffee maker.

STEP 3: Run the iced coffee maker by selecting the hot coffee function until it has cycled one full measurement of water in the travel mug. Allow to cool for approx. 3 minutes. Remove the filter then rinse and replace. Repeat until all the water has been cycled.

STEP 4: Empty the travel mug. Refill the water tank to the max. fill mark with clean water. Run the iced coffee maker by selecting the hot coffee function once more. Allow to cool for approx. 3 minutes.

STEP 5: Remove the filter basket then rinse and replace before brewing with cold water. Pour the water away once it has cooled. The iced coffee maker should now be descaled, clean, and ready for use. If any traces of descaling product residue remain, run more clean water through the iced coffee maker until it is completely clean.



NOTE: If the iced coffee maker switches off before it has boiled or a white deposit is noticed on the inside of the water tank, it needs to be descaled.

Instructions for use

Before first use

Before using the iced coffee maker for the first time, clean the water tank and accessories following the instructions in the section entitled '**Care and maintenance**'.

STEP 1: Before connecting to the mains power supply, position the iced coffee maker onto a flat, stable, heat-resistant surface at a height that is comfortable for the user. Check that all accessories are in place.

STEP 2: The iced coffee maker should be used first with water only. Remove the filter from inside the machine.

STEP 3: Follow the instructions in the section entitled '**Filling the water tank**' and take care not to exceed the max. fill mark.

STEP 4: Place the coffee cup or travel mug in its position.

STEP 5: Turn on the iced coffee maker by pressing '⏻' then press '☑' to start the brewing process.

STEP 6: Once all the water has been brewed, switch off the iced coffee maker and discard the water from the coffee cup or travel mug.



NOTE: When using the iced coffee maker for the first time, a slight odour may be emitted. This is normal and will soon subside. Allow for sufficient ventilation around the iced coffee maker.

Filling the water tank

Lift open the top lip to fill the water tank with cold water, ensuring that the water level is above the min. fill mark and below the max. fill mark.

Once the water tank is filled, lower the top lid down to close the water tank.



NOTE: For the best results use cool distilled water when filling the water tank.



CAUTION: Do not overfill the water tank, as this could damage to the iced coffee maker.



WARNING: Never fill the water tank directly from a tap. Always use the coffee cup or a jug to fill the water tank.

Brewing iced coffee

STEP 1: Make sure the iced coffee maker is switched off and unplugged from the mains power supply and that all the accessories are in place.

STEP 2: Pour a minimum of 230 ml of cold water into the water tank following the instructions in the section titled 'Filling the water tank'.

STEP 3: Lift open the top lid and remove the filter from the brewing chamber. Add a minimum of 3 spoons (12–14 g) of fine-ground coffee to the filter using the measuring spoon.

STEP 4: Gently shake the coffee filter to evenly distribute the ground coffee. Ensure that the ground coffee does not exceed the max. fill mark on the filter.

STEP 5: Place the filter back into the brewing chamber and close the top lid.

STEP 6: Add 180 g of ice to the coffee cup.

STEP 7: Place the coffee cup in its position.

STEP 8: Plug in and switch on the iced coffee maker at the mains power supply.

STEP 9: Press '⏻' to turn the iced coffee maker on. The control panel buttons will illuminate indicating the iced coffee maker is switched on.

STEP 10: Press '☞' to start the brewing process. The button will flash on and off indicating the brew cycle has commenced.

STEP 11: Once all the coffee has dripped from the brewing chamber into the coffee cup and the brewing cycle is complete (approx. 3 minutes for min. water level), the symbol will stop flashing and all the control panel buttons will illuminate indicating that the brewing cycle is complete.

STEP 12: Allow an extra couple of minutes for all the coffee to drip from the brewing chamber then remove the coffee cup from the iced coffee maker main unit.

STEP 13: Switch off by pressing '⏻', then unplug from the mains power supply.

STEP 14: Once the iced coffee maker has completely cooled down, lift the top lid up and dispose the used coffee grounds from the filter.



NOTE: To interrupt or stop the brewing cycle, press '⏻' or unplug the iced coffee maker at the mains power supply. Once the brewing mode has been selected, the iced coffee maker will begin the brewing cycle and the selected button will flash until the brewing cycle is complete.



WARNING: Never remove the coffee cup or travel mug from the iced coffee maker whilst the brewing cycle is in progress.

Brewing hot coffee

STEP 1: Make sure the iced coffee maker is switched off and unplugged from the mains power supply and that all the accessories are in place.

STEP 2: Pour a minimum of 230 ml of cold water into the water tank following the instructions in the section titled 'Filling the water tank'.

STEP 3: Lift open the top lid and remove the filter from the brewing chamber. Add a minimum of 3 spoons (12–14 g) of fine-ground coffee to the filter using the measuring spoon.


STEP 4: Gently shake the filter to evenly distribute the ground coffee. Ensure that the fine-ground coffee does not exceed the max. fill mark on the filter.

STEP 5: Place the filter back into the brewing chamber and close the top lid.

STEP 6: Place the coffee cup or travel mug in its position.

STEP 7: Plug in and switch on the iced coffee maker at the mains power supply.

STEP 8: Press '⏻' to turn the iced coffee maker on. The control panel buttons will illuminate indicating the iced coffee maker is switched on.

STEP 9: Press  to start the brewing process. The button will flash on and off indicating the brew cycle has commenced.


STEP 10: Once all the coffee has dripped from the brewing chamber into the travel mug or coffee cup and the brewing cycle is complete (approx. 3 minutes for min. water level), the symbol will stop flashing and all the control panel buttons will illuminate indicating that the brewing cycle is complete.

STEP 11: Allow an extra couple of minutes for all the coffee to drip from the brewing chamber then remove the travel mug or coffee cup from the iced coffee maker main unit.

STEP 12: Switch off by pressing , then unplug from the mains power supply.

STEP 13: Once the iced coffee maker has completely cooled down, lift the top lid up and dispose the used coffee grounds from the filter.



NOTE: To interrupt or stop the brewing cycle, press  or unplug the iced coffee maker at the mains power supply. Once the brewing mode has been selected, the iced coffee maker will begin the brewing cycle and the selected button will flash until the brewing cycle is complete.



WARNING: Never remove the coffee cup or travel mug from the iced coffee maker whilst the brewing cycle is in progress.

Hints and tips

1. Always use fresh, cold water to fill the water tank.
2. A clean coffee machine is essential for making great-tasting coffee. Clean regularly as specified previously.
3. The quantity of ground coffee can be adapted to suit taste. For stronger coffee, increase the amount of coffee grounds, or use less for weaker coffee.
4. After using packaged ground coffee, tightly reseal it and store the unused ground coffee in a cool, dry place.
5. To achieve optimum coffee taste, use whole coffee beans and finely grind them before brewing.
6. Do not reuse ground coffee that has already been used in the coffee maker, as this will greatly reduce the flavour of the coffee.

Storage

Check that the iced coffee maker is cool, clean and dry before storing in a cool, dry place.

Never wrap the cord tightly around the coffee maker; wrap it loosely to avoid causing damage.

Specifications

Product code: EK6214

Operating voltage: 220–240 V ~ 50/60 Hz

Power: 700 W



Disposal of Waste Batteries and Electrical and Electronic Equipment



This symbol on the product, its batteries or its packaging means that this product and any batteries it contains must not be disposed of with household waste. Instead, it is the user's responsibility to hand this over to an applicable collection point for the recycling of batteries and electrical and electronic equipment. This separate collection and recycling will help to conserve natural resources and prevent potential negative consequences for human health and the environment due to the possible presence of hazardous substances in batteries and electrical and electronic equipment, which could be caused by inappropriate disposal. Some retailers provide take-back services which allow the user to return exhausted equipment for appropriate disposal. **It is the user's responsibility to delete any data on electrical and electronic equipment prior to disposal.** For more information about where to drop batteries, electrical and electronic waste off, please contact the local city/municipality office, household waste disposal service, or the retailer.

Manufactured by:
Ultimate Products UK Ltd.,
Victoria Street, Manchester OL9 0DD. **UK.**
Ultimate Products Europe Ltd.,
19 Baggot Street Lower, Dublin D02 X658. **ROI.**

MADE IN CHINA.

CD030724/MD000000/V1