

# User manual

Coffee maker

coffee maker has cooled down may result in an incomplete cycle, the unit has a thermal reset switch to prevent overheating and may shut down.



**CAUTION:** Do not switch on the coffee maker without any water in the water reservoir. Do not open the water reservoir lid during the brewing cycle, as this will allow steam to escape and could cause scalding or burns.



**WARNING:** Allow the coffee maker to cool for approx. 3 minutes before making a second cup of coffee. Rinse the coffee filter with water before attempting to make another coffee. If the coffee maker does not cool completely before reuse, water placed in the water reservoir may overheat. This will allow hot steam to escape, which could injure the user.

## Hints and tips

1. Always use fresh, cold water to fill the water reservoir.
2. The quantity of ground coffee can be adapted to suit taste. For stronger coffee, increase the amount of coffee, or use less for weaker coffee.
3. If using regular ground coffee, more is needed per cup to achieve the same strength as finer ground coffee.
4. After using packaged ground coffee, tightly reseal it and store the unused ground coffee in a cool, dry place.
5. To achieve optimum coffee taste, use whole coffee beans and finely grind them before brewing.
6. Do not reuse ground coffee that has already been used in the coffee maker, as this will greatly reduce the flavour of the coffee.
7. Reheating coffee is not recommended, as it interferes with the taste.

## Storage

The coffee maker must be cool, clean and dry before storing in a cool, dry place. Never wrap the cord tightly around the coffee maker; wrap it loosely to avoid causing damage.

## Specifications

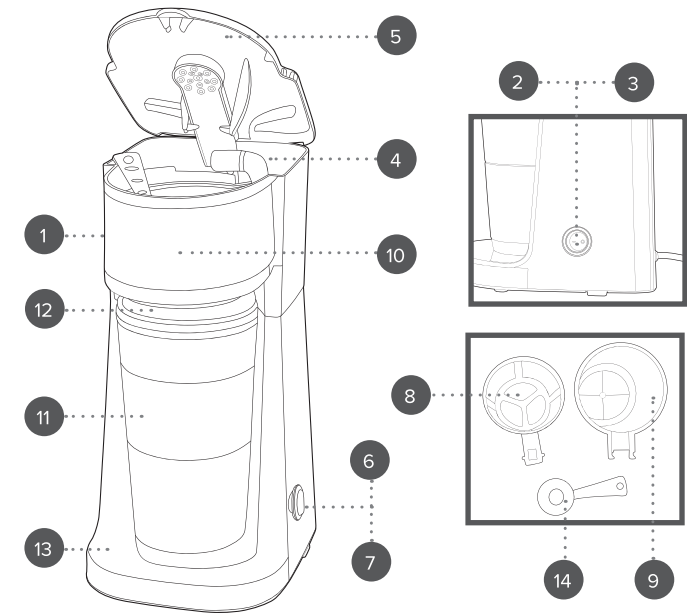
Product code: EK6525  
Operating voltage: 220–240 V ~ 50/60 Hz  
Power: 650–750 W



### Disposal of Waste Batteries and Electrical and Electronic Equipment



This symbol on the product, its batteries or its packaging means that this product and any batteries it contains must not be disposed of with household waste. Instead, it is the user's responsibility to hand this over to an applicable collection point for the recycling of batteries and electrical and electronic equipment. This separate collection and recycling will help to conserve natural resources and prevent potential negative consequences for human health and the environment due to the possible presence of hazardous substances in batteries and electrical and electronic equipment, which could be caused by inappropriate disposal. Some retailers provide take-back services which allow the user to return exhausted equipment for appropriate disposal. **It is the user's responsibility to delete any data on electrical and electronic equipment prior to disposal.** For more information about where to drop batteries, electrical and electronic waste off, please contact the local city/municipality office, household waste disposal service, or the retailer.



- |                            |                           |
|----------------------------|---------------------------|
| 1. Coffee maker main body  | 8. Reusable coffee filter |
| 2. On/off switch           | 9. Filter basket          |
| 3. Power indicator light   | 10. Brewing chamber       |
| 4. Water reservoir         | 11. Travel mug (420 ml)   |
| 5. Water reservoir lid     | 12. Travel mug lid        |
| 6. Brewing cycle button    | 13. Base                  |
| 7. Brewing indicator light | 14. Measuring spoon       |

Manufactured by:  
Ultimate Products UK Ltd.,  
Victoria Street, Manchester OL9 0DD. **UK.**  
Ultimate Products Europe Ltd.,  
19 Baggot Street Lower, Dublin D02 X658. **ROI.**

**MADE IN CHINA.**

CD021024/MD000000/V1

## SAFETY INSTRUCTIONS

- When using electrical appliances, basic safety precautions should always be followed.
- Check that the voltage indicated on the rating plate corresponds with that of the local network before connecting the appliance to the mains power supply.
- This appliance can be used by children aged from 8 years and above and persons with reduced physical, sensory or mental capabilities and knowledge, if they have been supervised/instructed and understand the hazards involved.
- Children shall not play with the appliance.
- Children should not perform cleaning or user maintenance, unless they are older than 8 and supervised.
- This appliance is not a toy.
- If the power supply cord, plug or any part of the appliance is malfunctioning or if it has been dropped or damaged, cease using the product immediately to avoid potential injury.
- This appliance contains no user serviceable parts, only a qualified electrician should carry out repairs. Improper repairs may place the user at risk of harm.
- Keep the appliance and its power supply cord out of the reach of children.
- Keep the appliance out of the reach of children when it is switched on or cooling down.
- Keep the appliance and its power supply cord away from heat or sharp edges that could cause damage.
- Keep the power supply cord away from any parts of the appliance that may become hot during use.
- Keep the appliance away from other heat emitting appliances.
- Do not allow the power supply cord to hang over worktops, touch hot surfaces or become twisted.
- Do not immerse the electrical components of this appliance in water or any other liquid.
- Do not operate the appliance with wet hands or if any connections are wet.
- Do not leave the appliance unattended whilst connected to the mains power supply.
- Do not remove the appliance from the mains power supply by pulling the cord; switch it off and remove the plug by hand.
- Do not pull or carry the appliance by its power supply cord.
- Do not use the appliance for anything other than its intended use.

- Do not use any accessories other than those supplied.
- Do not use this appliance outdoors.
- Do not store the appliance in direct sunlight or in high humidity conditions.
- Do not move the appliance whilst it is in use.
- If this appliance falls or accidentally becomes immersed in water, unplug it from the wall outlet immediately. Do not reach into the water.
- Always unplug the appliance after use and allow it to cool fully before any cleaning, user maintenance or storing away.
- Always use the appliance on a stable, heat-resistant surface, at a height that is comfortable for the user.
- This appliance should not be operated by means of an external timer or separate remote control system.
- Use of an extension cord with the appliance is not recommended.
- This appliance is intended for domestic use only. It should not be used for commercial purposes.



**CAUTION:** Hot surface – do not touch hot sections or heating components of the appliance.



**WARNING:** Boiling water and steam can cause serious injury; exercise extreme caution when using this appliance.

### Dos and don'ts

#### DO:

Switch off the coffee maker and disconnect it from the mains power supply before changing or fitting attachments.

#### DON'T:

Use the coffee maker if it has been dropped, if there are visible signs of damage or if it is leaking.

Use the coffee maker if the water level is less than the minimum fill mark.

Use attachments if they are loose, damaged or broken.

### Care and maintenance

Before attempting any cleaning or maintenance, unplug the coffee maker from the mains power supply and allow it to cool fully.

**STEP 1:** Wipe the coffee maker main unit with a soft, damp cloth and allow to dry thoroughly.

Never use harsh or abrasive cleaning detergents or scourers to clean the coffee maker as this could cause damage.

**STEP 2:** Wash the filter, filter basket in warm, soapy water, then rinse and dry thoroughly.



**NOTE:** The coffee maker should be cleaned after each use.

## Removing limescale



Limescale can develop over time and may affect the performance and lifespan of the coffee maker. It is recommended to descale the coffee maker regularly, at least once a month, especially if used in a hard water area. Frequent descaling will improve the performance and lifespan of the coffee maker.

**STEP 1:** Fill the water tank to the max. fill mark with cold water.

**STEP 2:** Add a commercial descaling agent, adhering to the manufacturer's instructions.

**STEP 3:** Follow the instructions outlined in the section entitled '**Using the coffee maker**'. Place a cup under the reusable coffee filter and, without adding coffee, press the brewing cycle button and allow water to brew. Repeat the process until 3 cups of water have been filled. Switch off the coffee maker and leave the remaining hot water to sit for approx. 15 minutes.

**STEP 4:** Empty the cups. Refill the water tank to the max. fill mark with clean water. Run the coffee maker at least twice more and pour the water away once it has cooled. The coffee maker should now be descaled, clean, and ready for use. If any traces of descaling product residue remain, run more clean water through the coffee maker until it is completely clean.

## Instructions for use

### Before first use

Before using the coffee maker for the first time, follow the instructions in the section titled '**Care and maintenance**'.



**NOTE:** When using the coffee maker for the first time, a slight odour may be emitted. This is normal and will soon subside. Allow for sufficient ventilation around the coffee maker.

## Using the coffee maker

**STEP 1:** Before connecting to the mains power supply, position the coffee maker on a flat, stable surface at a height that is comfortable for the user. Check that all the accessories are in place.

**STEP 2:** Lift the water reservoir lid and remove the reusable coffee filter and filter basket from the brewing chamber. Using the measuring spoon, add 3–4 spoons of finely ground or regular ground coffee, or 1–2 coffee pads, into the reusable coffee filter to create one full travel mug of fresh coffee.

**STEP 3:** Gently shake the reusable coffee filter to evenly distribute the coffee.

**STEP 4:** Position the reusable coffee filter into the filter basket and then place into the brewing chamber.

**STEP 5:** Pour 400 ml of fresh cold water into the water reservoir and close the water reservoir lid.

**STEP 6:** Remove the lid from the travel mug and place the travel mug onto the base of the coffee maker, aligning it with the brewing chamber.

**STEP 7:** Plug in and switch on the coffee maker at the mains power supply. Press the on/off switch to the on position, then press the brewing cycle button. The power indicator light will illuminate red and the brewing indicator light will illuminate blue to signal that the coffee maker is in operation.

**STEP 8:** Once all the coffee has dripped from the brewing chamber into the travel mug and the brewing cycle is complete (approx. 3–4 minutes), the brewing indicator light will switch off.

**STEP 9:** Remove the travel mug from the base; it is recommended to wait 1–2 minutes before doing this to allow the unit to cool and let any excess coffee to drip into the travel mug. Take care when handling, as the travel mug is likely to have become hot during operation. Check that the lid is fully secured to avoid any leaking.



**NOTE:** Once the brewing cycle button has been pressed, the coffee maker will start the brewing cycle and will remain on until the brewing cycle is complete. To interrupt or stop the brewing cycle, switch off the coffee maker at the mains power supply and unplug it. Attempting to start another brewing cycle before the